

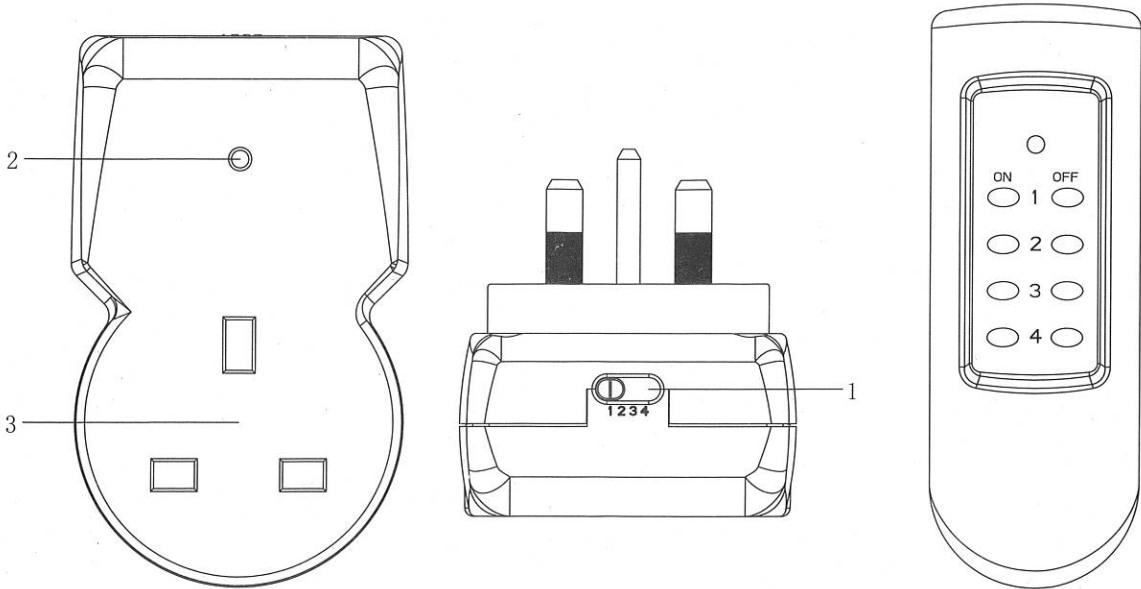
# RC-4+RCS-6E Operation Instruction

## Fixed code Wireless Switch

### A. Function

- 1.It is an innovation-designed receiver which is fixed code with the corresponding 4-channel transmitter. The operation is very easy to the users.
- 2.The receiver can be adjusted easily by a slide switch.It is necessary to change code while the transmitter is interfered by other transmitters nearby.
- 3.The receiver, should be installed at a place people hardly approach it, could be long-distance remote controlled. It is very convenient for the users.
- 4.The red LED indicates the Power ON/OFF status.

### B. Diagram & Descriptions



Item	Part	Description
1	Channel Switch	Adjust the channel the same as that on the transmitter
2	Power	Red LED . Lighting means the power is on. No light means the power is off.
3	Socket & Outlet	Connect the socket to the appliance. And the outlet put into power supply.

### C. Operation

#### 1.Code learning Transmitter---Receiver

Adjust the code the same as that on the transmitter. Illustrated up diagram:

Notes: If interfered by other transmitter, please change code correspondingly.

#### 2.Channel: Receiver---Transmitter

As illustrated below, there are 4 channels on the receiver (1,2,3,4),the same as the transmitter.

If the 4 receivers are connected, please sequentially adjust the respective channel as (1,2,3,4) .

#### 3.Controlling: Transmitter---Receiver

Suppose there are 4 receivers and their channels are (1,2,3,4), make sure all receivers are put into power supply socket, if press "ON" button of 1 channel on the transmitter, the corresponding 1 receiver will be switched on.

Likewise, if press "ON" button of 2 channel, the corresponding 2 receiver will be switched on too.

All the 4 channels should be in the same status respectively.

### D. Connecting

- 1.Switch off the appliance
- 2.Plug the appliance into the socket of the receiver then connect the receiver with power supply.
- 3.Switch on the appliance

### E. Specification

- 1.Current: 240VAC, 50Hz, 5A
- 2.Max. Load: 1200W.
- 3.Radio Frequency: 433.92MHz
- 4.Range: Typically about 30m in open area.
- 5.Transmitter power:1X23A/12V



R&TTE  
approved

