



800-D MKII

ORDERCODE D1111



SHOWELECTRONICS FOR PROFESSIONALS

Congratulations!

You have bought a great, innovative product from DAP Audio.

The DAP Audio 800-D MKII brings excitement to any venue. Whether you want simple plug-&-play action or a sophisticated show, this product provides the effect you need.

You can rely on DAP Audio, for more excellent audio products.

We design and manufacture professional audio equipment for the entertainment industry.

New products are being launched regularly. We work hard to keep you, our customer, satisfied.

For more information: iwant@dap-audio.info

You can get some of the best quality, best priced products on the market from DAP Audio.

So next time, turn to DAP Audio for more great audio equipment.

Always get the best -- with DAP Audio !

Thank you!



Dap Audio

Dap Audio 800-D MKII™ Product Guide

Warning	2
Safety-instructions.....	2
Operating Determinations.....	3
Description	4
Overview Main Unit	4
Overview Control Unit	5
LCD.....	5
Installation	6
Set Up and Operation	6
Functions	7
Operations	9
Opening and closing of the disc holder.....	9
Loading CD's.....	9
Selecting Tracks.....	9
Starting Playback.....	9
Stopping Playback.....	10
Pausing.....	10
Cueing.....	11
Frame search.....	11
Scanning (Fast forward/Fast backward).....	12
Time Display.....	12
Matching the Beats per Minute (BPM).....	12
Program Play.....	13
Loop PLAY.....	13
Relay Play.....	13
Fader start.....	13
Before switching off the power	14
CD's.....	14
Precaution on storage.....	14
Maintenance	15
Troubleshooting	15
Product Specifications	16

WARNING



**FOR YOUR OWN SAFETY, PLEASE READ THIS USER MANUAL CAREFULLY
BEFORE YOUR INITIAL START-UP!**

SAFETY INSTRUCTIONS

Every person involved with the installation, operation and maintenance of this system has to:

- be qualified
- follow the instructions of this manual



Before you initial start-up, please make sure that there is no damage caused by transportation. Should there be any, consult your dealer and do not use the system.

To maintain perfect condition and to ensure a safe operation, it is absolutely necessary for the user to follow the safety instructions and warning notes written in this manual.

Please consider that damages caused by manual modifications to the system are not subject to warranty.

This system contains no user-serviceable parts. Refer servicing to qualified technicians only.

IMPORTANT:

The manufacturer will not accept liability for any resulting damages caused by the non-observance of this manual or any unauthorized modification to the system.

- Never let the power-cord come into contact with other cables! Handle the power-cord and all connections with the mains with particular caution!
- Never remove warning or informative labels from the unit.
- Never use anything to cover the ground contact.
- Never leave any cables lying around.
- Do not insert objects into air vents.
- Do not connect this system to a dimmerpack.
- Do not switch the system on and off in short intervals, as this would reduce the system's life.
- Do not open the device and do not modify the device.
- Only use system indoor, avoid contact with water or other liquids.
- Avoid flames and do not put close to flammable liquids or gases.
- Always disconnect power from the mains, when system is not used. Only handle the power-cord by the plug. Never pull out the plug by tugging the power-cord.
- Make sure you don't use the wrong kind of cables or defective cables.
- Make sure that the available voltage is not higher than stated on the rear panel.
- Make sure that the power-cord is never crimped or damaged. Check the system and the power-cord from time to time.

- Please turn off the power switch, when changing the power cord or signal cable, or select the input mode switch.
- Extreme frequency boosts in connection with a high input signal level may lead to overdriving your equipment. Should this occur, it is necessary to reduce the input signal level by using the INPUT control.
- To emphasize a frequency range, you don't necessarily have to move its respective sliding control upward; try lowering surrounding frequency ranges instead. This way, you avoid causing the next piece of equipment in your sound path to overdrive. You also preserve valuable dynamic reserve ("headroom")
- Avoid ground loops! Always be sure to connect the power amps and the mixing console to the same electrical circuit to ensure the same phase!
- If system is dropped or struck, disconnect mains power supply immediately. Have a qualified engineer inspect for safety before operating.
- If the system has been exposed to drastic temperature fluctuation (e.g. after transportation), do not switch it on immediately. The arising condensation water might damage your system. Leave the system switched off until it has reached room temperature.
- If your Dap Audio device fails to work properly, discontinue use immediately. Pack the unit securely (preferably in the original packing material), and return it to your Dap Audio dealer for service.
- Repairs, servicing and electric connection must be carried out by a qualified technician.
- For replacement use fuses of same type and rating only.
- WARRANTY: Till one year after date of purchase.

OPERATING DETERMINATIONS

If this system is operated in any other way, than the one described in this manual, the product may suffer damages and the warranty becomes void.

Any other operation may lead to dangers like short-circuit, burns, electric shock, etc.

You endanger your own safety and the safety of others!

Improper installation can cause serious damage to people and property !!

Description of the device

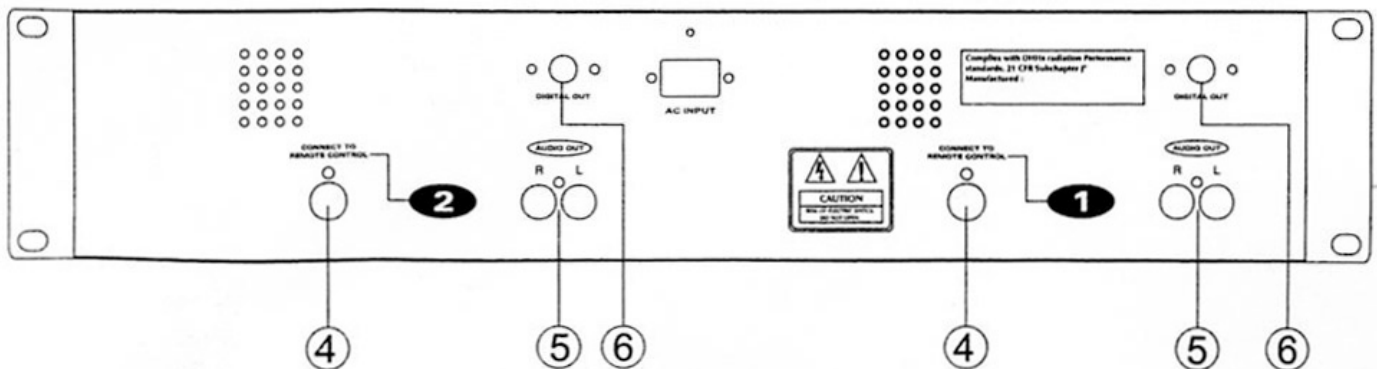
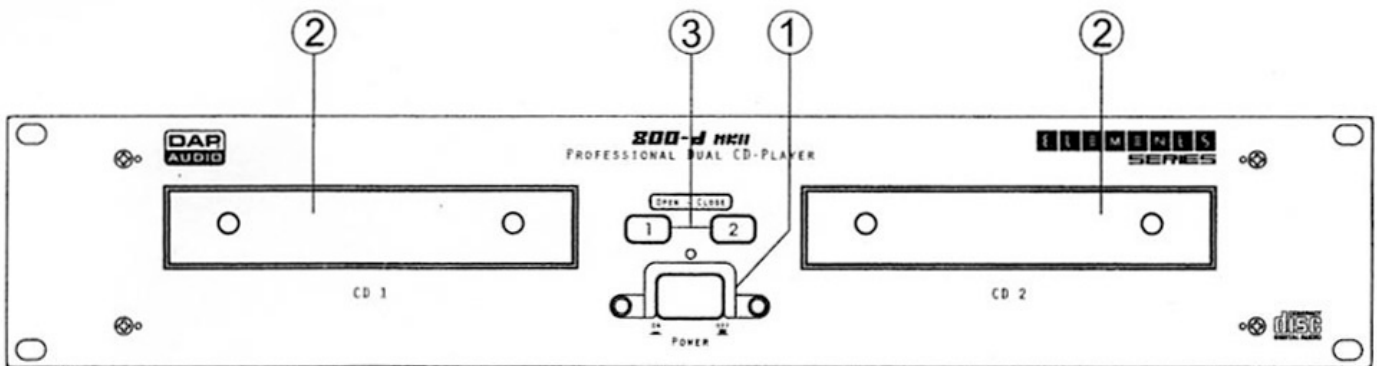
Features

The 800-D MKII is a CD-Player from DAP Audio.

- 8 times oversampling, 1 bit D/A converter
- Auto-Cue
- Taktabstand Pitch-Display
- + 10 Tracks Skip Search
- Digital out
- Pitch range: +/-8%, +/-12%, +/-16%
- elapsed, remain and total remain time display
- Single/Continuous
- Relay play allows consecutive playback during 2 decks
- Frame-search
- 4 fast search mode
- Transport protection
- 20 Tracks Program-PLAY
- Fader stop (back cue), relay playback

Overview Main Unit

Frontside

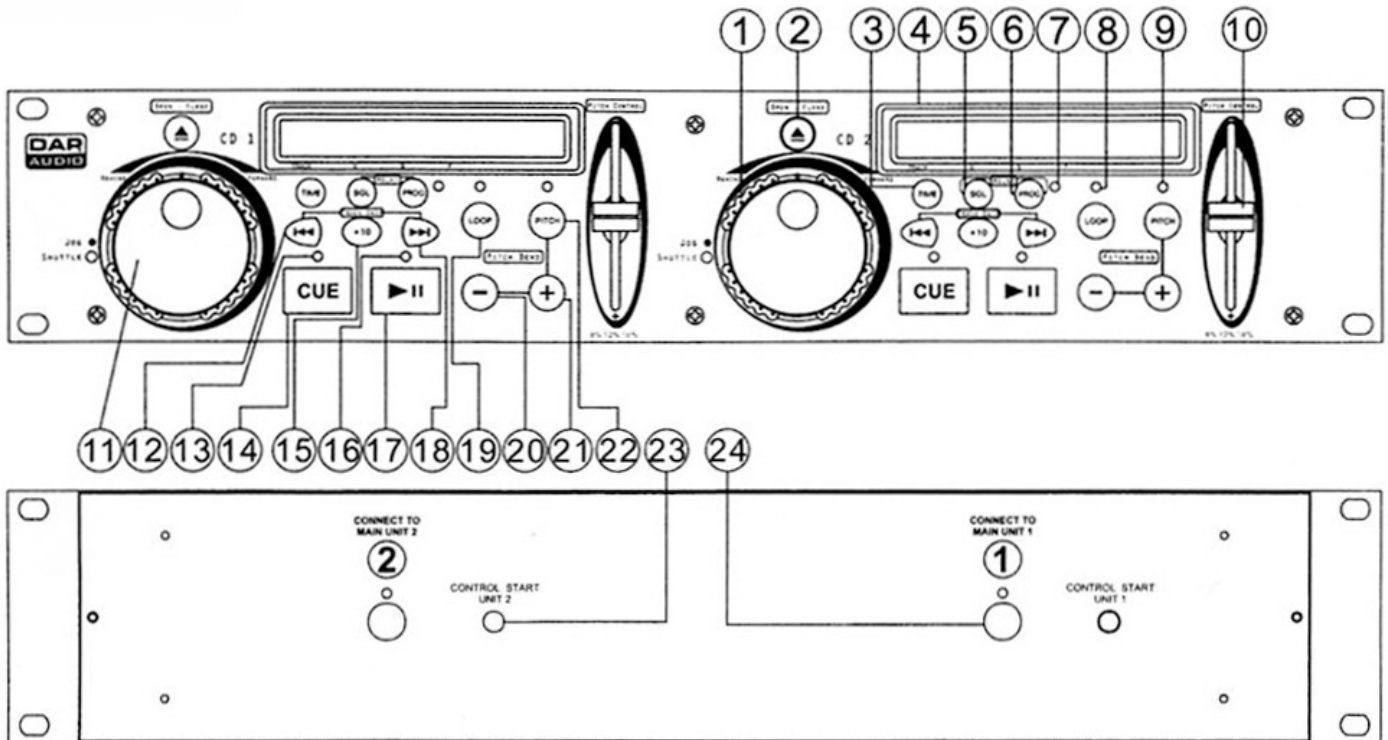


Backside

- (1) POWER (Power ON/OFF Switch)
- (2) Disc Holder
- (3) OPEN/CLOSE▲ (Open/Close Button)
- (4) REMOTE CONTROL CONNECTOR
- (5) LINE OUT
- (6) DIGITAL OUT SOCKET

Overview Control Unit

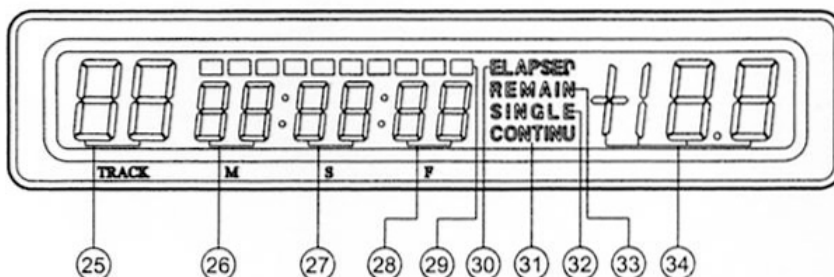
Frontside



Backside

- | | |
|--------------------------------------|-----------------------------------|
| (1) SHUTTLE (Shuttle dial) | (14) CUE (Cue Button) |
| (2) OPEN/CLOSE ▲ (Open/Close Button) | (15) +10 (Track+10 Button) |
| (3) TIME (Time Button) | (16) PLAY Indicator |
| (4) LCD (Liquid Crystal Display) | (17) PLAY/PAUSE ►/ |
| (5) SGL (Single Button) | (18) F.SKIP ►► |
| (6) PROGRAM (Program Button) | (19) LOOP (Loop Button) |
| (7) Program Indicator | (20) PITCH -(Pitch Bend - Button) |
| (8) LOOP Indicator | (21) PITCH +(Pitch Bend + Button) |
| (9) PITCH (Pitch Indicator) | (22) PITCH (Pitch Button) |
| (10) Pitch slider | (23) CONTROL START SOCKETS |
| (11) JOG (Jog Dial) | (24) CONTROL CONNECTOR |
| (12) B.SKIP ◀◀ | |
| (13) CUE Indicator | |

LCD



- | |
|--|
| (25)~(28) TRACK, MINUTE, SECOND and FRAME Displays |
| (29) TIME BAR Indicator |
| (30) ELAPSED Indicator |
| (31) CONTINU Indicator |
| (32) SINGLE Indicator |
| (33) REMAIN Indicator |
| (34) PITCH Display |

Installation

800-D MKII Installation

Remove all packing materials from the CD Player. Check that all foam and plastic padding is removed. Screw the CD player in a 19" Rack. Connect all cables.

**Always disconnect from electric mains power supply before cleaning or servicing.
Damages caused by non-observance are not subject to warranty.**

Set Up and Operation

Before plugging the unit in, always make sure that the power supply matches the product specification voltage. The power supply is printed on the back of the device.

Do not attempt to operate a 120V specification product on 230V power, or vice versa.

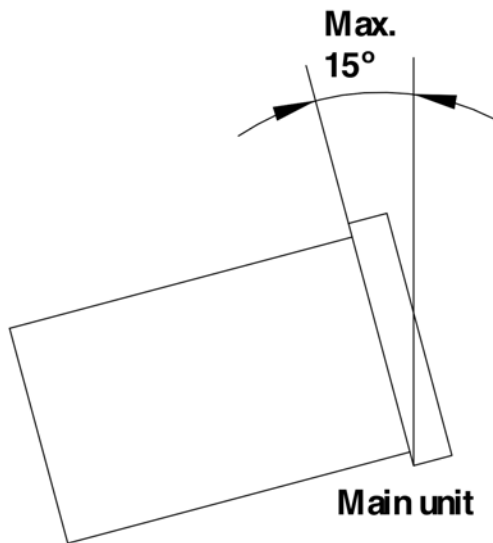


Fig. 1

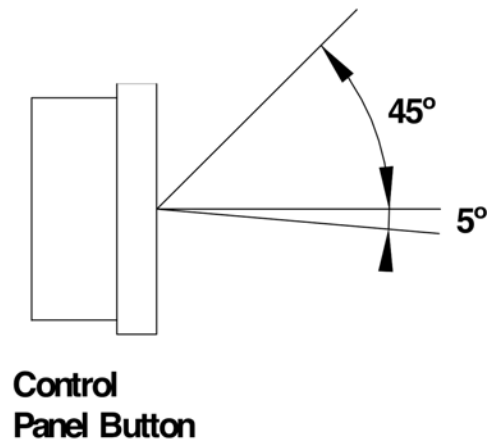


Fig. 2

CAUTION: The player will work normally when the unit is mounted with the front panel at 15 degrees of the vertical plane. If the unit is tilted excessively, discs may not be loaded or unloaded properly. (Fig. 1)
The control panel's LCD's are designed to be clearly visible within the angles (Fig. 2). Mount the control unit so that the visual angle is within the range.

Connections

1. Turn off the POWER switch.
2. Connect the RCA cable to the input of your mixer.
3. Connect the control cords to the REMOTE connector on the Main Unit.

CAUTION:

Be sure to use the supplied control cords. Using another type of cable may result in damage.
Be sure that the power is off, when connecting the cables.

Functions

NAMES UND FUNCTIONS

Below is a description of the functions of the controls.

Main Unit

- 1) POWER (Power ON/OFF-Switch): When the POWER-switch is pressed the POWER turns on.
- 2) Disc Holder: Place the disc in the holder. Press the OPEN/CLOSE-button to open and close the disc holder.
- 3) OPEN/CLOSE ▲(Open/Close-button): Press this button to open and close the disc holder. The disc holder cannot be opened during playback, so stop playback before pressing the button.
- 4) REMOTE CONTROL CONNECTOR: Connect this connector to the control unit using the included control cord.
- 5) LINE OUT 1 and 2: The audio signal from each player is sent to these jacks.
- 6) DIGITAL OUT SOCKET: The music-signal from this socket is digital. Connect the output to the respective input of a digital amplifier for example.

Control Unit

- 1) SHUTTLE (Shuttle Dial): Use the dial to select the scanning direction and speed. The disc is scanned in the forward direction when the shuttle dial is turned clockwise from the neutral position, in the reverse direction when the shuttle dial is turned counterclockwise. The scanning speed increases when the shuttle dial is turned faster.
- 2) OPEN/CLOSE ▲(Open/Close-button): Press this button to open and close the disc holder. The disc holder cannot be opened during playback, so stop playback before pressing the button.
- 3) TIME (Time button): Press this button to switch the TIME-Display between the elapsed time and remaining time. The selected mode is indicated by the ELAPSED and REMAIN indicator on the LCD.
- 4) LCD
- 5) SGL (Single-button): Press this button to switch between the single and continuous play mode. The Single mode is indicated by the SINGLE-indicator on the LCD and the Continuous mode is indicated by the CONTINU-indicator on the LCD.
- 6) PROGRAM (Program-button): Press the Program-Button, the player will enter the program mode and stop the CD playback.
- 7) PROGRAM-Indicator: The PROGRAM-LED lights when the program modus is set.
- 8) LOOP-Indicator: When the LOOP-Start point is set, the LED flashes. When in LOOP-Mode, the LED lights.
- 9) PITCH-Indicator: When the indicator lights, the pitch adjustment is enabled.
- 10) PITCH-Slider: Use this slider to adjust the CD pitch. Slide up to decrease the pitch, slide down to increase the pitch.
- 11) JOG (Jog Dial): When the dial is turned during the CD pause, the point at which the sound is being produced, moves by a number of frames corresponding to the number of clicks. Clockwise moves the point forward, counterclockwise moves the point backward.
- 12) B. SKIP ◀◀: Use this button to go back to the beginning of the current track or select a previous track for playing.
- 13) CUE-Indicator: When CUE-Mode is active, the Cue indicator lights.
- 14) CUE (Cue-Button): Press the CUE button during playback to return to the position at which playback is started.
- 15) +10 (Track + 10 Button): Use the button to skip ahead 10 tracks.
- 16) PLAY-Indicator: The PLAY indicator lights during play mode.
- 17) PLAY/PAUSE-button: Use this button to start playback. Press once to start playback, twice to set the pause mode, and thrice to resume playback.
- 18) F.SKIP ▶▶ Use this button to skip to the next track.
- 19) LOOP (Loop-Button): Press the LOOP-button to set the loop startpoint. Press the LOOP-button again to set the loop endpoint.
- 20) PITCH – button: The CD slows down while this button is pressed. Release the button to return to the

original BPM.

- 21) PITCH + button:** The CD speeds up while this button is pressed. Release the button to return to the original BPM.
- 22) PITCH (Pitch-button):** Use the button to enable or disable BPM adjustment with the pitch slider. BPM adjustment with the pitch slider is enabled when the PITCH LED lights.
- 23) CONTROL START SOCKETS:** These sockets are to connect to a mixer using a 3,5mm jack plug to give remote start capability. When the switch contacts are shorted the respective unit will play, and similarly when the switch contacts are open the player will be in pause mode.
- 24) CONTROL CONNECTOR:** Connect this connector to the REMOTE connector on the main unit using the included control cord.

LCD

- 25) ~28) TRACK, MINUTE, SECOND, and FRAME Displays:** These Displays indicate information for the CD's current position and time.
- 29) BAR-Indicator:** These 10 indicators provide a visual display of the approximate position of the pickup within the current track.
- 30) ELAPSED-Indicator:** This indicates that the time shown on the display is the elapsed time.
- 31) CONTINU- Indicator:** When the indicator lights, the function will cause the unit to play continuously.
- 32) SINGLE- Indicator:** When the indicator lights, playback will stop at the beginning of the next track.
- 33) REMAIN- Indicator:** This indicates that the time shown on the display is the remaining time of the playing track.
- 34) PITCH-Display:** Display shows the BPM change range, the BPM changes within a range of +/-12%.

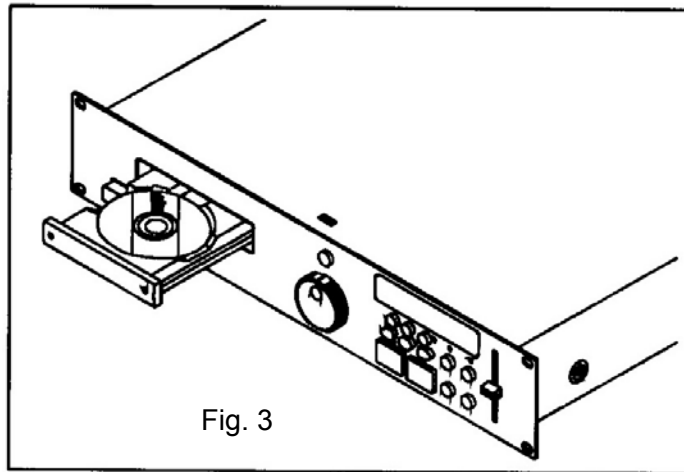
Operations

1. Opening and closing of the disc holder

- Turn the unit's power on. Press the OPEN/CLOSE-button to open the disc holder.
- The disc holder cannot be opened during playback, to prevent playback from being interrupted if the OPEN/CLOSE button is pressed accidentally. Stop the playback first, then press the OPEN/CLOSE button.

2. Loading CD's

- Hold the disc by the edges and place it in the disc holder, then press the OPEN/CLOSE button to close the holder. The unit will show the total track number and the total playing time for about 2 seconds and then enter the cue condition. The cue point will be set to the music's starting point of the first track automatically.



CAUTION:

- Do not place any foreign objects in the disc holder and do not place more than one disc in the disc holder at a time.
- Do not push the disc holder in manually when the power is off, as this may result in malfunction and damages the player.

3. Selecting Tracks

- Press the SKIP-button to move to next higher or lower track.
- Hold the SKIP button to change tracks continuously at a higher speed.
- When a new track is selected during playback, playback begins as soon as the skip search operation is completed.
- If the Skip-button **▶▶** is pressed while at the last track, the first track is selected. In the same way, if the Skip- button **◀◀** is pressed while at the first track, the last track is selected.

4. Starting Playback

- Press the PLAY/PAUSE button during the pause or cue condition to start playback, the PLAY indicator lights.
- The point at which playback starts is automatically stored in the memory as the cue point. The pickup then returns to the cue point when the CUE button is pressed. (Back CUE)

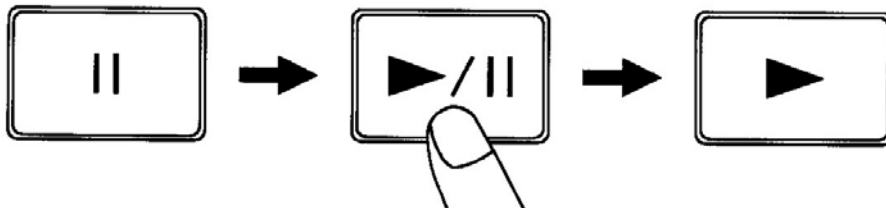


Fig. 4

5. Stopping Playback

There are two ways to stop playback:

- 1). Press the PLAY/PAUSE button during playback to pause at that point.
- 2). Press the CUE button during playback to return to the cue point and enter pause condition. (Back Cue)

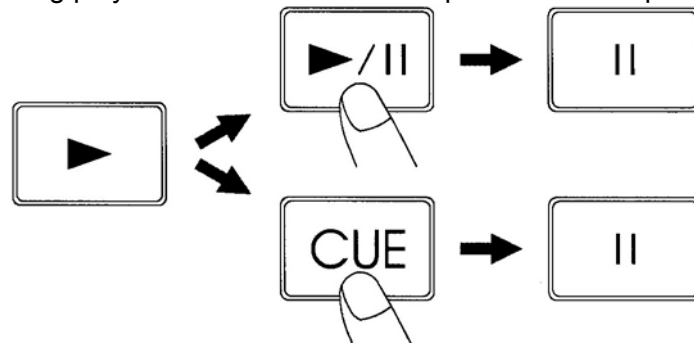


Fig. 5

6. Pausing

- Press the PLAY/PAUSE button to switch between play and pause.
- The play indicator flashes when the pause mode is set.
- Fig. 6 shows the relationship between the play and pause.

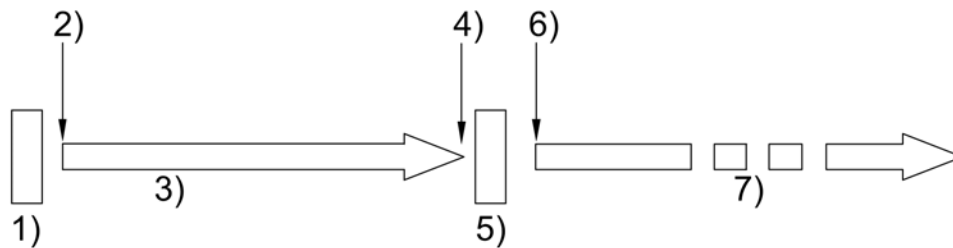


Fig. 6

1. The player has completed the CUE or pause operation and is waiting for the play start command.
2. When the PLAY/PAUSE button is pressed, playback starts and the cue point is stored in the memory.
3. PLAY.
4. The pause mode is set when the PLAY/PAUSE button is pressed again.
5. Pausing
6. Playback resumes when the PLAY/PAUSE button is pressed again.
7. PLAY.

7. Cueing

- "Cueing" is the action of preparing for playback.
- Press CUE button, the player will enter CUE-Mode, the playback returns to cue point and enter pause condition, the CUE indicator lights up and the PLAY indicator flashes. When PLAY/PAUSE button is pressed, play starts from the cue point.
- When the track search operation is completed after pressing the SKIP buttons, the player automatically finds the position at which the sound starts and cues there (Auto Cue).
- If the CUE button is pressed after the search operation or the scanning operation, the playback returns to the cue point and enters pause condition.
- Fig. 7 shows the relationship between the PLAY and back CUE operations.

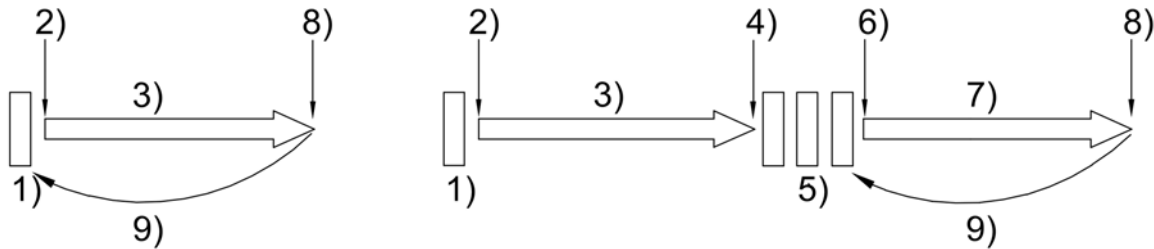


Fig. 7

- 1 The player has completed the cue or pause operation and is waiting for the play start command.
 - 2 When the PLAY/PAUSE button is pressed, playback starts and the cue point is stored in the memory.
 - 3 PLAY.
 - 4 The pause mode is set when the PLAY/PAUSE button is pressed again.
 - 5 Pausing
 - 6 When the PLAY/PAUSE button is pressed again, playback resumes and the new cue point is stored in the memory.
 - 7 PLAY.
 - 8 Press the CUE button.
 - 9 The pickup returns to the cue point. (Back Cue)
- CUE- point setting
When play starts from pause or skip to a new track by using skip button, the begin play point will be set to the new cue point.
When a new cue point is set, the cue indicator lights by flash for about 1 second.
NOTE: During cue mode, if the CUE button is pressed and hold, playback will start from the cue point, when the button is released, the player will return to the cue mode automatically, it allows you to check the cue point.

8. Frame search

- Frame search is a function for monitoring the sound at a certain section of the disc and manually changing the position. Searching is used to set play start points with precision.
- Turn the JOG dial while in pause or cue mode to begin searching. The sound for one revolution of the disc is output repeatedly. The point at which the sound starts is indicated on the LCD.
- When the JOG dial is turned, the point from which the sound is the output moves a number of frames corresponding to the number of the clicks, and the time display on the LCD also changes.
- The search point moves in the forward direction when the JOG dial is turned clockwise, in the reverse direction when the JOG dial is turned counterclockwise.

9. Scanning (Fast forward/Fast backward)

- Scanning is a function for moving quickly forward or backward when the SHUTTLE is rotated.
- This unit supports 4 different speeds according to the rotating angle of the SHUTTLE.
- Turn the shuttle dial to begin scanning. The disc moves rapidly forward or backward and the sound is output. The current scan point is indicated on the LCD.
- Turn the shuttle dial clockwise to scan in the forward direction, counterclockwise to scan in the reverse direction.

10. Time Display

Press TIME button to select time display mode:

1. Elapsed time of a track.
2. Remaining time of a track.
3. Total remaining time of a disc.

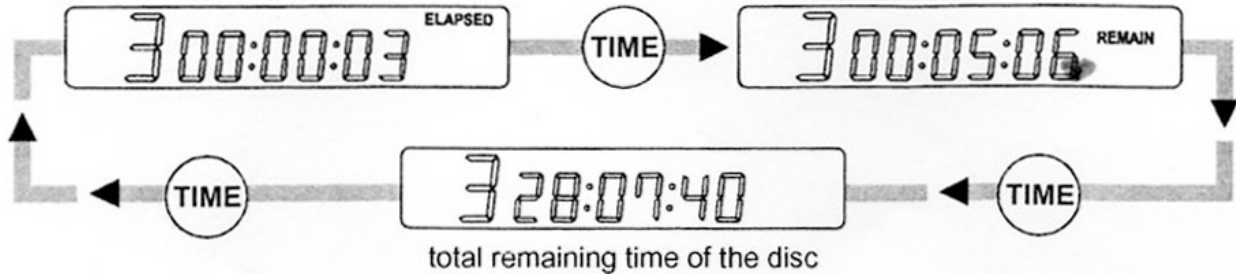


Fig. 8

11. Matching the Beats Per Minute (BPM)

There are three tools available for matching the BPM of the two CDs:

1. Use the pitch slider to adjust the BPM satirically.
2. Use the PITCH BEND button to change the BPM temporarily.
3. Turn the JOG dial to change the BPM temporarily.

• 1) Pitch-Slider

- To adjust the BPM by sliding the pitch slider up or down, press the PITCH button to turn on the PITCH adjustment function before using.
- Slide the pitch slider up to decrease BPM, or down to increase BPM. The adjustment range is $\pm 8\%$, $\pm 12\%$, $\pm 16\%$.

• 2) Pitch-Bending

- The BPM increases or decreases respectively while the PITCH BEND+ or PITCH BEND- button is pressed.
- The BPM increase depends on how long you hold the button. If you hold the button for about 1/2 second, the BPM will go either to $+16\%$ for PITCH BEND+ or -16% for PITCH BEND-. If you tap the button, the BPM will only change a little so you can change the beat slightly without audible changing in the music.
- The CD will return to the tempo indicated by the Pitch slider when you release the PITCH BEND+ or PITCH BEND- buttons.
- Fig. 9 shows an example of how to use the pitch bend function. In this example, both players are playing and the BPM has already been matched with the pitch sliders.

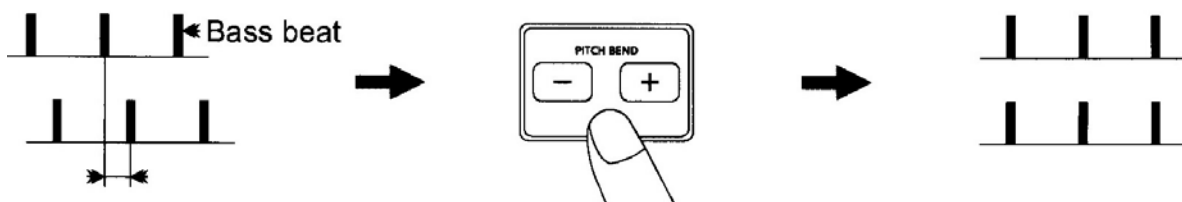


Fig. 9

- **3) Turn the JOG dial**

- Turn the jog dial clockwise during play to increase the BPM in the forward direction, counterclockwise to decrease the BPM in the reverse direction. The faster you turn the wheel, the more BPM changes. The BPM changes with a range of +/-16%.
- When you release jog wheel, the CD will return to the tempo indicated by the pitch slider.

12. Program Play

1. Press the PROGRAM button, the player will enter the program mode and the CD will stop rotating.
2. Select the desired track by pressing the SKIP button, then press the PROGRAM button again. The selected track will be added to the program sequence.
3. Repeat step 2 operation. A maximum of 20 tracks can be programmed at one time.
4. Press the PLAY/PAUSE button to start the program play from the first selection.
5. Press the program button again during program play to stop playing.
6. Press and hold the program button more than 2 seconds to cancel the program mode and erase all the current program contents.

13. Loop PLAY

1. Press the LOOP button to set the loop start point A, the LOOP indicator will flash on the LCD.
2. Press the LOOP button again to set the loop end point B, after the B point is set, the playback will enter the loop play from A to B repeatedly.
3. Press the LOOP button again, the loop play function is canceled, the LOOP indicator goes out.

14. Relay Play

Press PROG and SGL button to switch the relay function. This indicator on the LCD track display will flash when relay is on.

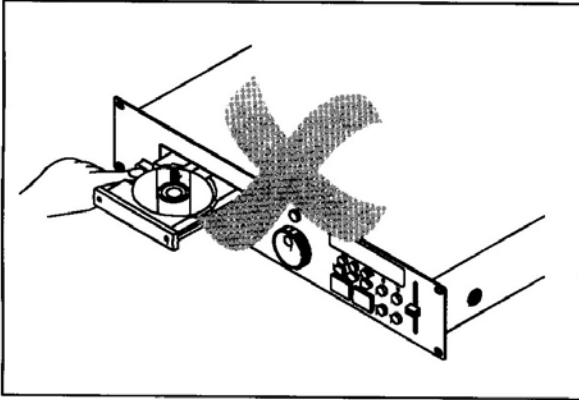
15. Fader Start

You have the possibility to start the respective CD-player directly from the mixer. Make sure that the Control socket is connected with the respective socket on the mixer. Additionally the Audio socket has to be connected with the Line-input sockets of your mixer. Please note that the Fader start function only works with the appropriate mixers. Insert the CD and select the desired track. Start playback from your mixer.

Before switching off the power

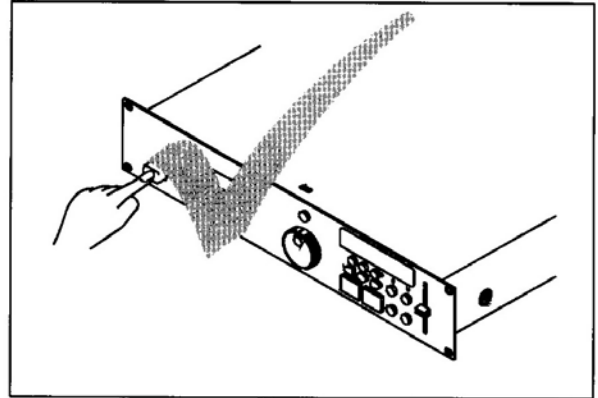
When you have finished using the CD player, before switching off the power, be sure that the disc holder has been closed with the OPEN/CLOSE button.

CAUTION: Do not forcibly close the disc holder when the power is off.



Do not switch off the power, when the disc holder is open.

POWER OFF



Switch off the power after the disc holder has been closed with the OPEN/CLOSE button.

POWER OFF

CD's

1. Precautions on handling compact discs

- Do not allow fingerprints, oil or dust to get on the surface of the disc. If the disc is dirty, wipe it off with a soft dry cloth.
- Do not use benzene, thinner, water, record spray, electrostatic-proof chemicals, or silicone-treated cloths to clean discs.
- Always handle discs carefully to prevent damaging the surface; in particular when removing a disc from its case or returning it.
- Do not bend the disc.
- Do not put the CD near heating sources.
- Do not enlarge the hole in the center of the disc.
- Do not write on the label (printed side) with a hard-tipped implement such as a pencil or ball point pen.
- Condensation will form if a disc is brought into a warm area from a colder one, such as outdoors in winter. Do not attempt to dry the disc with a hair dryer, etc.

2. Precaution on storage

- After playing a disc, always unload it from the player.
- Always store the disc in the jewel case to protect from dirt or damage.
- Do not place discs in the following areas:
 1. Areas exposed to face sunlight for a considerable time.
 2. Areas subject to accumulation of dust or high humidity.
 3. Areas are affected by heat from indoor heaters, etc.

Maintenance

The DAP Audio-CD-Player 800-D MKII requires almost no maintenance. However, you should keep the unit clean. Disconnect the mains power supply, and then wipe the cover with a damp cloth. Do not immerse in liquid. Do not use alcohol or solvents.

Keep connections clean. Disconnect electric power, and then wipe the DMX and audio connections with a damp cloth. Make sure connections are thoroughly dry before linking equipment or supplying electric power.

Troubleshooting

DAP Audio-CD-Player 800-D MKII

This troubleshooting guide is meant to help solve simple problems. If a problem occurs, carry out the steps below in sequence until a solution is found. Once the unit operates properly, do not carry out following steps.

- 1.** If the device does not operate properly, unplug the device.
- 2.** Check power from the wall, all cables, connections, etc.
- 3.** If all of the above appears to be O.K., plug the unit in again.
- 4.** If nothing happens after 30 seconds, unplug the device.
- 5.** Return the device to your DAP Audio dealer.

Product Specification

Model: Dap Audio 800-D MKII

Power: 230V-50Hz (CE)

Powerconsumption: 25W

Dimensions Main Unit: 482x262x88,8 mm (LxWxH)

Control Unit: 482x97x88,8 mm (LxWxH)

Weight Main Unit: 5 kg

Control Unit: 2 kg

Design and product specifications are subject to change without prior notice.





© 2004 DapAudio.