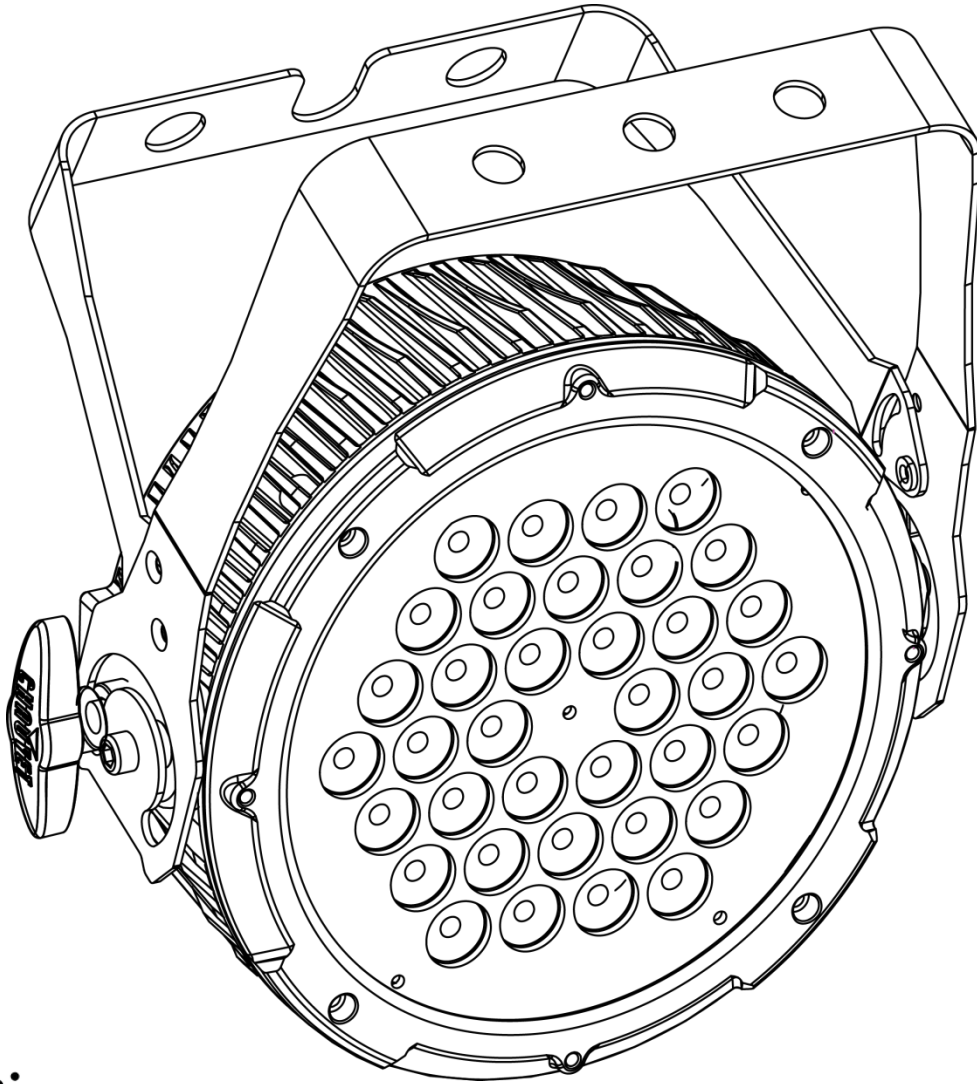


Slim**PAR™ PRO** VW

User Manual



CHAUVET®
It's **Green** Thinking.™

TABLE OF CONTENTS

1. Before You Begin	3
What is Included	3
Unpacking Instructions	3
Claims	3
Text Conventions	3
Symbols	3
Disclaimer	3
Product at a Glance	4
Safety Notes	4
2. Introduction	5
Overview	5
Dimensions	6
3. Setup	7
AC Power	7
Fuse Replacement	7
Power Linking	8
Mounting	9
Orientation	9
Rigging	9
Lens Assembly Replacement	10
4. Operation	11
Control Panel Operation	11
Menu Map	11
Configuration (DMX)	12
Starting Address	12
DMX Channel Modes, Assignments, and Values	13
7-Channel	13
3-Channel	13
2-Channel	13
Configuration (Standalone)	14
Automatic Mode	14
Color Temperature Preset	14
Custom Static Color	14
Dimming Curve	14
Master/Slave Mode	15
5. Technical Information	16
Product Maintenance	16
6. Technical Specifications	17
Returns	18
Contact Us	18

1. BEFORE YOU BEGIN

What is Included

- SlimPAR™ Pro VW
- Power Cord
- Hanging Bracket with Mounting Hardware
- Gel Frame Holder
- Warranty Card
- Quick Reference Guide

Unpacking Instructions

Carefully unpack the product immediately and check the container to make sure all the parts are in the package and are in good condition.

Claims




If the box or the contents (the product and included accessories) appear damaged from shipping, or show signs of mishandling, notify the carrier immediately, not CHAUVET®. Failure to report damage to the carrier immediately may invalidate your claim. In addition, keep the box and contents for inspection.

For other issues, such as missing components or parts, damage not related to shipping, or concealed damage, file a claim with CHAUVET® within 7 days of delivery.

Text Conventions

Convention	Meaning
1 to 512	A range of values
50/60	A set of values of which only one can be chosen
Settings	A menu option not to be modified
Menu > Settings	A sequence of menu options to be followed
<ENTER>	A key to be pressed on the product's control panel
ON	A value to be entered or selected

Symbols

Symbol	Meaning
	Critical installation, configuration, or operation information. Not following these instructions may make the product not work, cause damage to the product, or cause harm to the operator.
	Important installation or configuration information. The product may not function correctly if this information is not used.
	Useful information.

Disclaimer

The information and specifications contained in this User Manual are subject to change without notice. CHAUVET® assumes no responsibility or liability for any errors or omissions, and reserves the right to revise or recreate this manual at any time. Download the latest version from www.chauvetlighting.com.

© Copyright 2013 CHAUVET®. All rights reserved.

Printed in P.R.C.

Electronically published by CHAUVET® in the United States of America.

Author	Date	Editor	Date
A. Leon	11/08/13	D. Coupe	11/08/13

Product at a Glance

Use on Dimmer	X	Auto Programs	P
Outdoor Use	X	Auto-ranging Power Supply	P
Sound-Active	X	Replaceable Fuse	P
DMX	P	User-Serviceable	X
Master/Slave	P		

Safety Notes

These notes include important information about the mounting, usage, and maintenance of this product; read before using the product.



- Always connect the product to a grounded circuit to avoid the risk of electrocution.
- Always disconnect the product from the power source before cleaning or replacing the fuse.
- Avoid direct eye exposure to the light source while the product is on.
- Make sure the power cord is not crimped or damaged.
- Never disconnect the product from power by pulling or tugging on the cord.
- If mounting the product overhead, always secure to a fastening device using a safety cable.
- Make sure there are no flammable materials close to the product when operating.
- Do not touch the product's housing when operating because it may be very hot.



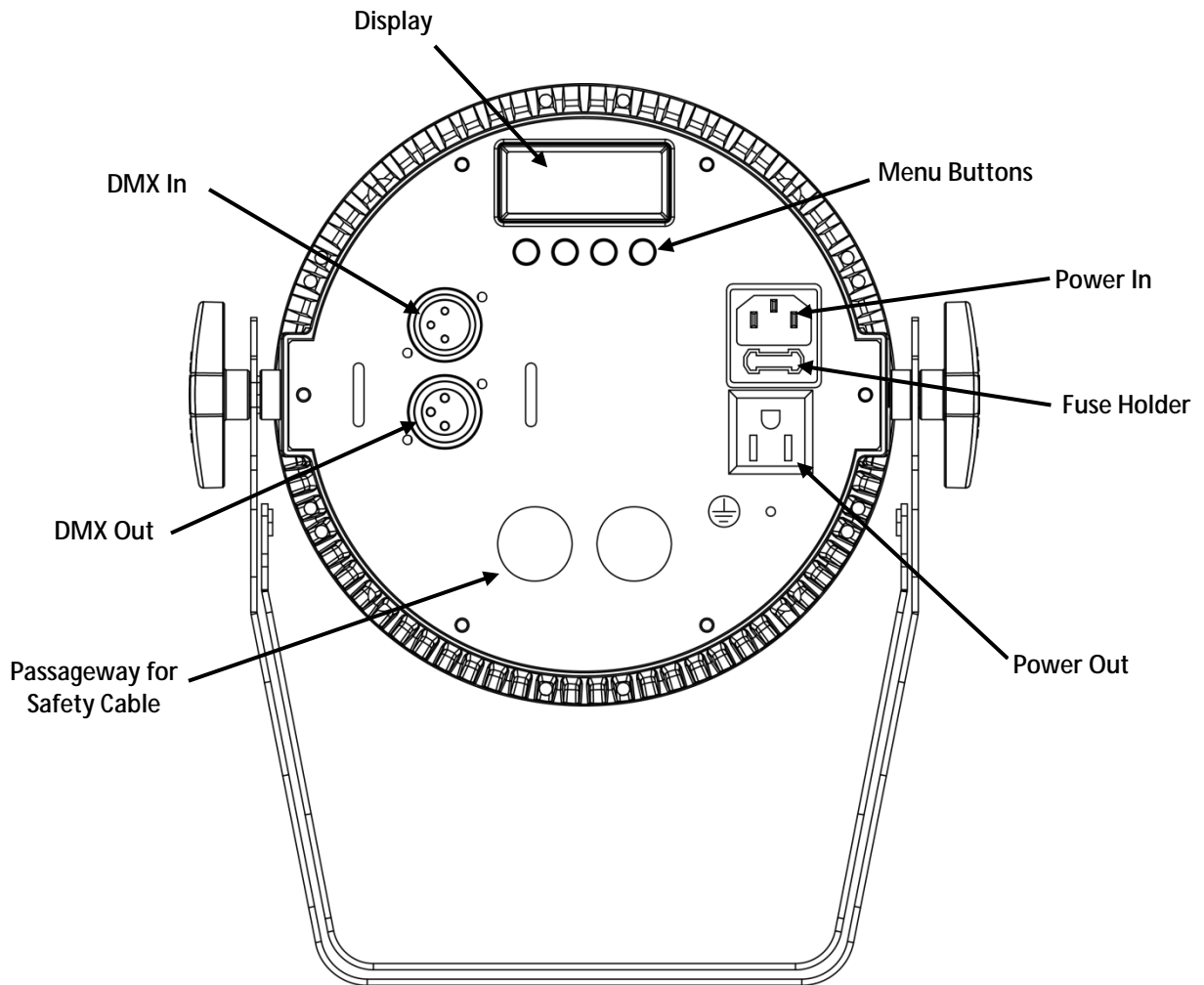
- Always make sure that the voltage of the outlet to which you are connecting the product is within the range stated on the decal or rear panel of the product.
- The product is for indoor use only! (IP20) To prevent risk of fire or shock, do not expose the product to rain or moisture.
- Always install the product in a location with adequate ventilation, at least 20 in (50 cm) from adjacent surfaces.
- Be sure that no ventilation slots on the product's housing are blocked.
- Never connect the product to a dimmer or rheostat.
- Make sure to replace the fuse with another of the same type and rating.
- Never carry the product from the power cord or any moving part. Always use the hanging/mounting bracket.
- The maximum ambient temperature (Ta) is 104 °F (40 °C). Do not operate the product at higher temperatures.
- In the event of a serious operating problem, stop using the product immediately.
- Never try to repair the product. Repairs carried out by unskilled people can lead to damage or malfunction. Contact the nearest authorized technical assistance center.
- This product is not intended for permanent installation.



- Keep this User Manual for future use. If you sell the product to another user, be sure to give this document to the next owner.

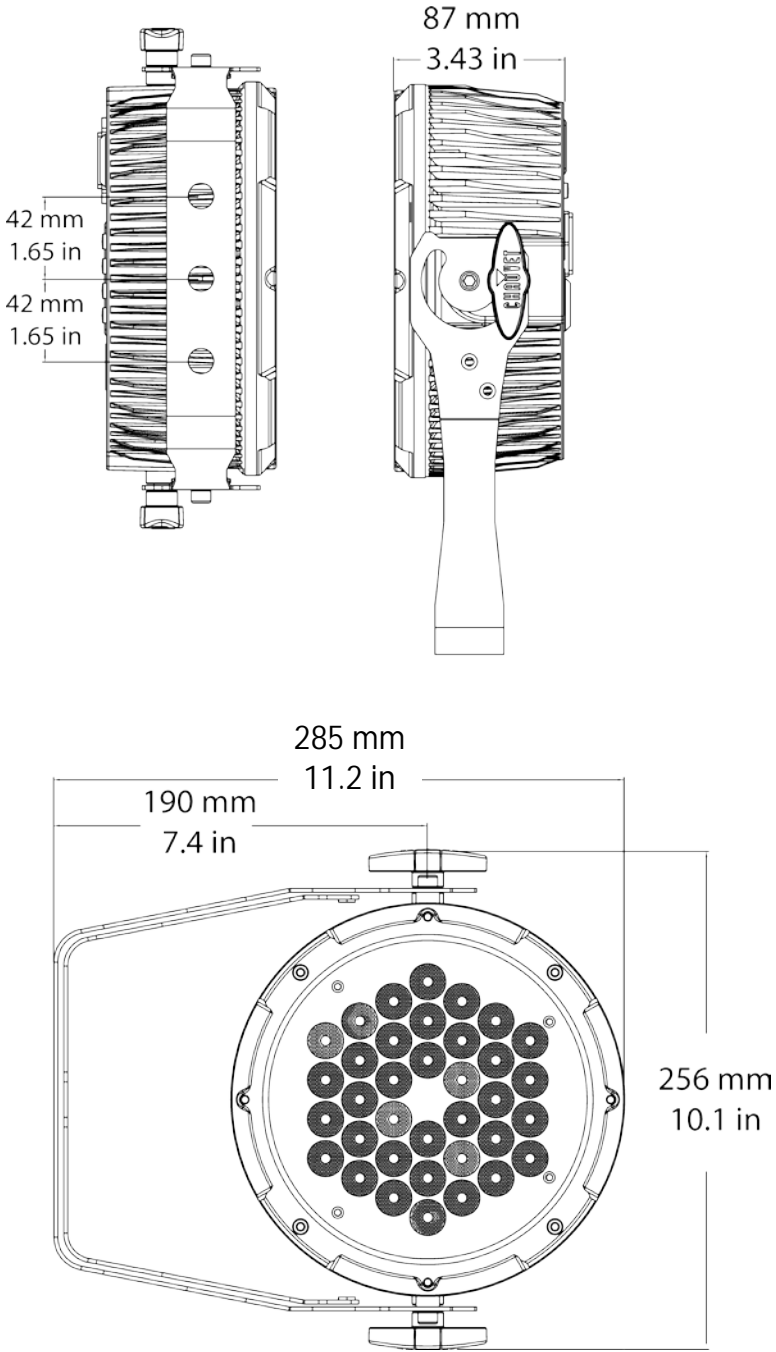
2. INTRODUCTION

Overview



Back Panel View

Dimensions



3. SETUP

AC Power The SlimPAR™ Pro VW has an auto-ranging power supply and it can work with an input voltage range of 100 to 240 VAC, 50/60 Hz.

To determine the product's power requirements (circuit breaker, power outlet, and wiring), use the current value listed on the label affixed to the product's back panel, or refer to the product's specifications chart. The listed current rating indicates the product's average current draw under normal conditions.



Always connect the product to a protected circuit (circuit breaker or fuse). Make sure the product has an appropriate electrical ground to avoid the risk of electrocution or fire.



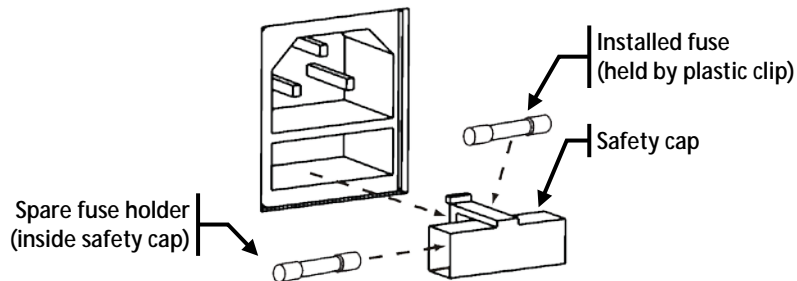
Never connect the product to a rheostat (variable resistor) or dimmer circuit, even if the rheostat or dimmer channel serves only as a 0 to 100% switch.

Fuse Replacement



Disconnect the product from power before replacing the fuse.

1. Disconnect the product from power.
2. Wedge the tip of a flat-head screwdriver into the slot of the fuse holder.
3. Pry the fuse holder out of the housing.
4. Remove the blown fuse from the holder.
5. Replace with a fuse of the exact same type and rating.
6. Insert the fuse holder back in place and reconnect power.

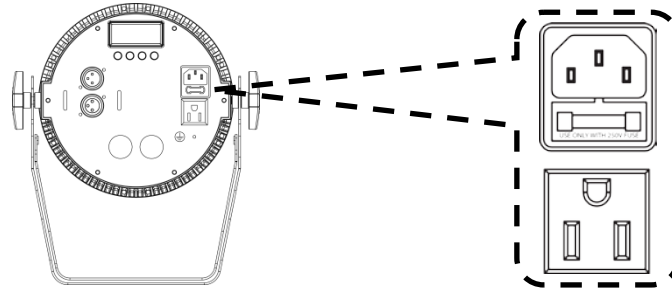


A spare fuse is not included; however, the safety cap has room for a spare.

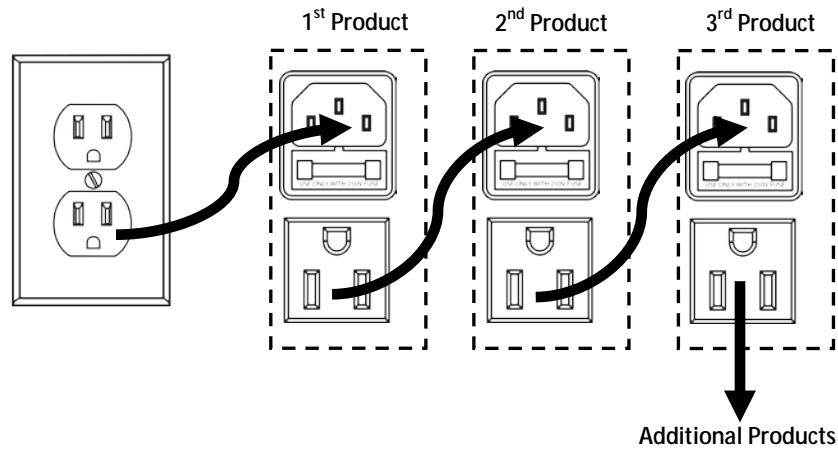


Always replace a blown fuse with another of the same type and rating.

Power Linking The product provides power linking via the Edison/IEC outlet located in the back of the unit.



Power Linking Diagram



You can power link up to 11 SlimPAR™ Pro VW units on 120 V or up to 18 SlimPAR™ Pro VW units on 230 V.



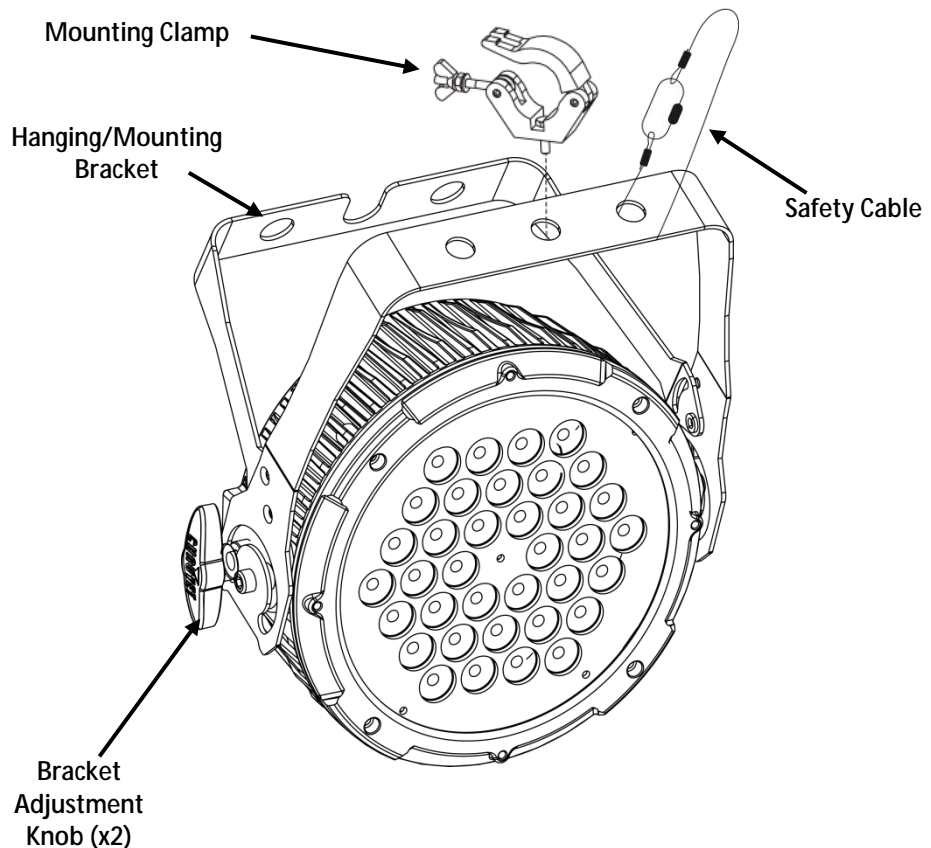
The power linking diagram shown above corresponds to the North American version of the product **ONLY!** If using the product in other markets, you must consult with the local CHAUVET® distributor as power linking connectors and requirements may differ in your country or region.

Mounting Before mounting the product, read and follow the safety recommendations indicated in the Safety Notes.

Orientation The SlimPAR™ Pro VW may be mounted in any position; however, make sure adequate ventilation is provided around the product

- Rigging**
- Before deciding on a location, always make sure there is easy access to the product for maintenance and programming.
 - Make sure that the structure or surface onto which you are mounting the product can support the product's weight (see the [Technical Specifications](#)).
 - When mounting the product overhead, always use a safety cable. Mount the product securely to a rigging point, such as an elevated platform or a truss.
 - When rigging the product onto a truss, you should use a mounting clamp of appropriate weight capacity. The bracket has 13-mm holes, which are appropriate for this purpose.
 - When power linking multiple products, you must always consider the length of the power linking cable and mount the products close enough for the cable to reach.
 - The bracket adjustment knobs allow for directional adjustment when aiming the product to the desired angle. Only loosen or tighten the bracket knobs manually. Using tools could damage the knobs.
 - The double-bracketed yoke also allows for surface mounting. When mounting the product on the floor, make sure that the product and cables are away from people and vehicles.

Mounting Diagram



Lens Assembly Replacement

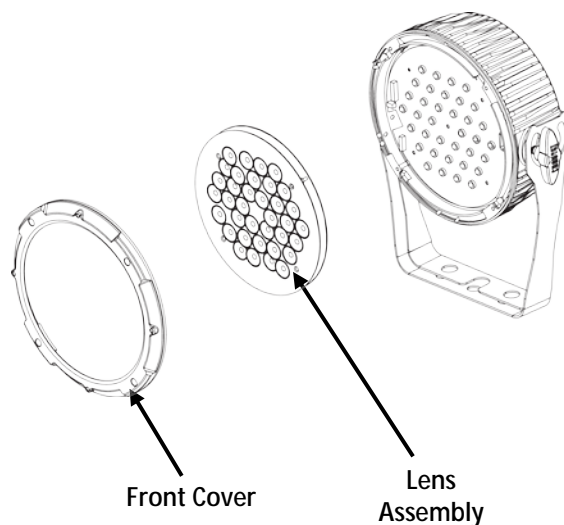
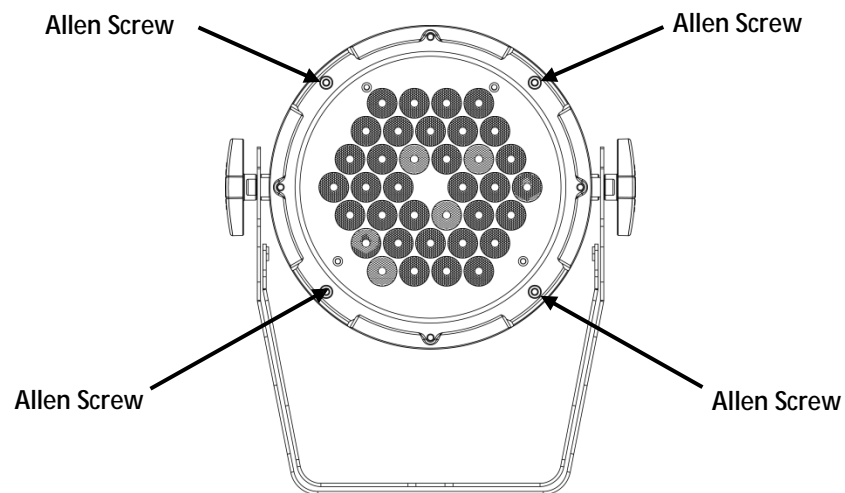
The SlimPAR™ Pro VW comes with a factory-installed wide-angle lens assembly. A narrow lens (17°) assembly is available as an optional accessory (SPPVWLENS17).



This narrow lens assembly will alter the beam and field angles of the fixture.

To replace the lens assembly, follow the instructions below.

1. Remove the four Allen screws from the front trim ring with a #3 metric Allen wrench.
2. Remove the front cover (with glass still attached to the ring).
3. You now have access to the lens assembly. Use a Philips-head screwdriver to remove the five screws that hold it in place.
4. Carefully remove the lens assembly. The LEDs and circuit board will now be exposed. Use caution to prevent damaging them.
5. Place the new lens assembly in the fixture and reinstall the five Philips screws. Tighten screws as simultaneously as possible to the same tension. Do not over-tighten the screws as this could cause damage.
6. Put the front cover in place and reinstall the five Allen screws.



4. OPERATION

Control Panel Operation

To access the control panel functions, use the four buttons located underneath the display.

Button	Function
<MENU>	Selects an operation mode or backs out of the current menu option
<UP>	Scrolls up the list of options or selects a higher value
<DOWN>	Scrolls down the list of options or selects a lower value
<ENTER>	Activates a menu option or a selected value

Menu Map

Mode	Programming Steps		Description
DMX Address	Addr	d001–d512	Selects the DMX starting address
Personality	PERS	7CH	7-channel operating mode
		3CH	3-channel operating mode: warm/cool white color temperature mixing with dimmer
		2CH	2-channel operating mode: warm/cool white color temperature mixing
Dimming Curve	dIM	OFF	Dimming curve: off
		dIM1	Dimming curve: dim 1
		dIM2	Dimming curve: dim 2
		dIM3	Dimming curve: dim 3
Color Temperature Preset	C--	C-01	White 1, 2800 K
		C-02	White 2, 3000 K
		C-03	White 3, 3300 K
		C-04	White 4, 3600 K
		C-05	White 5, 4000 K
		C-06	White 6, 4500 K
		C-07	White 7, 5600 K
		C-08	White 8, 6000 K
		C-09	White 9, 6300 K
Custom Static Color	U--	A000–A255	Combine warm and cool white to create a custom, static color temperature mix
		W000–W255	
		S000–S020	Strobe speed (0–20 Hz)
Auto Program	P--	P--1–P--5	Program selection
		S000–S100	Run speed



There is no strobing in the following modes: C--and P--. For full function control, use 7-Channel DMX mode.

Configuration (DMX)

Set the product in DMX mode to control with a DMX controller.

1. Connect the product to power.
2. Connect a DMX cable from the DMX output of the DMX controller to the DMX input socket on the product.

Starting Address

When selecting a starting DMX address, always consider the number of DMX channels the selected DMX mode uses. If you choose a starting address that is too high, you could restrict the access to some of the product's channels.

The SlimPAR™ Pro VW uses up to 7 DMX channels in 7-channel DMX mode, which defines the highest configurable address to **506**.

If unfamiliar with DMX or DIP switches, download the DMX Primer from www.chauvetlighting.com.

To select the starting address, do the following:

1. Press **<MENU>** repeatedly until **PERS** shows on the display.
2. Press **<ENTER>**.
3. Use **<UP>** or **<DOWN>** to select the desired personality: **7-CH** (7-channel), **3CH** (3-channel), or **2CH** (2-channel).
4. Press **<ENTER>**.
5. Press **<MENU>** repeatedly until **Addr** shows on the display.
6. Press **<ENTER>**.
7. Use **<UP>** or **<DOWN>** to select the desired DMX starting address, **d001–d512**.
8. Press **<ENTER>**.

DMX Channel Modes, Assignments, and Values

7-Channel	Channel	Function	Value	Setting
	1	Dimmer	000 ó 255	0–100%
	2	Warm White	000 ó 255	0–100%
	3	Cool White	000 ó 255	0–100%
	4	Strobe	000 ó 009 010 ó 255	No function 0–20 Hz, slow to fast
	5	Auto Program	000 ó 051 052 ó 101 102 ó 152 153 ó 203 204 ó 254 255	No function Auto program 1 Auto program 2 Auto program 3 Auto program 4 Auto program 5
	6	Auto Program Speed	000 ó 255	0–100%, slow to fast (only when CH. 7 is between 052–255)
	7	Dimmer Speed	000 ó 051 052 ó 101 102 ó 152 153 ó 203 204 ó 255	Default dimmer speed Linear dimmer Non-linear dimmer 1 Non-linear dimmer 2 Non-linear dimmer 3
3-Channel	Channel	Function	Value	Setting
	1	Dimmer	000 ó 255	0–100%
	2	Warm White	000 ó 255	0–100%
	3	Cool White	000 ó 255	0–100%
2-Channel	Channel	Function	Value	Setting
	1	Warm White	000 ó 255	0–100%
	2	Cool White	000 ó 255	0–100%

Configuration (Standalone)

Set the product in one of the standalone modes to control without a DMX controller.

- Connect the product to a suitable power outlet.



Never connect a product that is operating in any standalone mode (Static or Automatic) to a DMX string connected to a DMX controller. Products in standalone mode may transmit DMX signals that could interfere with the DMX signals from the controller.

Automatic Mode

To enable the Automatic mode, follow the instructions below:

1. Press **<MENU>** repeatedly until **P--** shows on the display.
2. Press **<ENTER>**.
3. Use **<UP>** or **<DOWN>** to select the desired auto program, **P--1–P--5**.
4. Press **<ENTER>** and **S00–S100** shows on the display.
5. Use **<UP>** or **<DOWN>** to select the auto program speed **S000–S100** (fast to slow).
6. Press **<ENTER>**.

Color Temperature Preset

Preprogrammed, static color temperature presets may be triggered without a controller, as follows.

1. Press **<MENU>** repeatedly until **C--** shows on the display.
2. Press **<ENTER>**.
3. Use **<UP>** or **<DOWN>** to select the desired color temperature:
 - **C-01** - White 1, 2800 K
 - **C-02** - White 2, 3000 K
 - **C-03** - White 3, 3300 K
 - **C-04** - White 4, 3600 K
 - **C-05** - White 5, 4000 K
 - **C-06** - White 6, 4500 K
 - **C-07** - White 7, 5600 K
 - **C-08** - White 8, 6000 K
 - **C-09** - White 9, 6300 K
4. Press **<ENTER>**.

Custom Static Color

To combine warm and cool white to create a custom, static color temperature mix, follow the instructions below:

1. Press **<MENU>** repeatedly until **U--** shows on the display.
2. Press **<ENTER>** and **Axxx** (warm white), **Wxxx** (cool white), or **Sxxx** (strobe) show on the display.
3. Use **<UP>** or **<DOWN>** to select the desired option and press **<ENTER>**.
 - Use **<UP>** or **<DOWN>** to select the desired warm white color, **A000–A255** (0–100%).
 - Use **<UP>** or **<DOWN>** to select the desired cool white color **W000–W255** (0–100%).
 - Use **<UP>** or **<DOWN>** to select the desired strobe speed **S000–S020** (0–20 Hz).
4. Press **<ENTER>** to set selection and to go to the next option.

Dimming Curve

To combine warm and cool white to create a custom, static color temperature mix, follow the instructions below:

1. Press **<MENU>** repeatedly until **dim** shows on the display.
2. Press **<ENTER>**.
3. Use **<UP>** or **<DOWN>** to select **dim1–dim3** (small to large) or **OFF**(linear output).
4. Press **<ENTER>**.

Master/Slave Mode

The Master/Slave mode allows a single SlimPAR™ Pro VW (the “master”) to control the actions of one or more SlimPAR™ Pro VW units (the “slaves”) without the need of a DMX controller. The master will be set to operate in either an auto program or static color, while the slaves will be set to operate in Slave mode. Once set and connected, the slaves will operate in unison with the master.

Configure the units as indicated below.

The slaves:

1. Set the DMX starting address to **001**.
2. Connect the DMX input of the first slave to the DMX output of the master.
3. Connect the DMX input of the subsequent slaves to the DMX output of the previous slave.
4. Finish setting and connecting all the slaves.

The master:

1. Set the master unit to operate in either an auto program or static color.
2. Make the master unit the first product in the DMX daisy chain.



- **Configure all the slaves before connecting the master to the DMX daisy chain.**
- **Never connect a DMX controller to a DMX string configured for Master/Slave operation because the controller may interfere with the signals from the master.**
- **Do not connect more than 31 slaves to the master.**

5. TECHNICAL INFORMATION

Product Maintenance

Dust build-up reduces light output performance and can cause overheating. This can lead to reduction of the light source's life and mechanical wear. To maintain optimum performance and minimize wear, clean the product at least twice a month. However, usage and environmental conditions contribute to increased cleaning frequency.

To clean the product, follow the instructions below:

- Unplug the product from power.
- Wait until the product is at room temperature.
- Use a vacuum (or dry compressed air) and a soft brush to remove dust collected on the external surface/vents.
- Clean all external optics and glass/transparent surfaces with a mild soap solution, ammonia-free glass cleaner, or isopropyl alcohol.
- Apply the solution directly to a soft, lint-free cotton cloth or a lens cleaning tissue.
- Softly wipe any dirt or grime to the outside edges of the external optics or glass/transparent surface.
- Gently polish the external optics and glass/transparent surfaces until they are free of haze and lint.



Always dry the external optics and glass/transparent surfaces carefully after cleaning them.

6. TECHNICAL SPECIFICATIONS

Dimensions and Weight	Length	Width	Height	Weight
	3.4 in (87 mm)	10.1 in (256 mm)	11.2 in (285 mm)	6.3 lb (2.8 kg)
Note: Dimensions in inches rounded to the nearest decimal digit.				
Power	Power Supply Type	Range	Voltage Selection	
	Switching (internal)	100~240 V, 50/60 Hz	Auto-ranging	
	Parameter	120 V, 60 Hz	230 V, 50 Hz	
	Consumption	83 W	83 W	
	Operating current	0.6 A	0.4 A	
Light Source	Power I/O	US/Worldwide	UK/Europe	
	Power input connector	IEC	IEC	
	Power output connector	Edison	IEC	
	Power Cord plug	Edison (US)	Local plug	
	Type	Power	Lifespan	
LED	1 W	50,000 hours		
Photo Optic	Color	Quantity	Current	
	Cool white	18	350 mA	
	Warm white	18	350 mA	
	Parameter			
	Illuminance @ 2 m	2,930 lx		
Beam angle	21°			
Field angle	42°			
Thermal	Maximum External Temp.	Cooling System		
	104° F (40° C)	Convection		
DMX	I/O Connectors	Connector Type	Channel Range	
	3-pin XLR	Sockets	2, 3 or 7	
Ordering	Product Name	Item Code	UPC Number	
	SlimPAR™ Pro VW	03030274	781462206222	



UL 1573
CSA C22.2 No. 166
E113093



RoHS



To return a product or request support:

- In the U.S., contact CHAUVET® World Headquarters (see below).
- In the UK or Ireland, contact CHAUVET® Europe Ltd. (see below).
- In any other country, DO NOT contact CHAUVET®. Contact your distributor. See www.chauvetlighting.com for distributors outside the U.S., United Kingdom, Ireland, or Mexico.



If you live outside the U.S., United Kingdom, Ireland, or Mexico contact your distributor of record and follow their instructions on how to return CHAUVET® products to them. Visit our website for contact details.

Returns

Call the corresponding CHAUVET® Technical Support office and request a Return Merchandise Authorization (RMA) number before shipping the product. Be prepared to provide the model number, serial number, and a brief description of the cause for the return.

You must send the merchandise prepaid, in its original box, and with its original packing and accessories. CHAUVET® will not issue call tags.

Clearly label the package with the RMA number. CHAUVET® will refuse any product returned without an RMA number.



Write the RMA number on a properly affixed label. DO NOT write the RMA number directly on the box.

Before sending the product, clearly write the following information on a piece of paper and place it inside the box:

- Your name
- Your address
- Your phone number
- RMA number
- A brief description of the problem

Be sure to pack the product properly. Any shipping damage resulting from inadequate packaging will be your responsibility. FedEx packing or double-boxing are recommended.



CHAUVET® reserves the right to use its own discretion to repair or replace returned product(s).

Contact Us WORLD HEADQUARTERS - CHAUVET®

General Information

Address: 5200 NW 108th Avenue
Sunrise, FL 33351
Voice: (954) 577-4455
Fax: (954) 929-5560
Toll free: (800) 762-1084

Technical Support

Voice: (954) 577-4455 (Press 4)
Fax: (954) 756-8015
Email: tech@chauvetlighting.com

World Wide Web www.chauvetlighting.com

UNITED KINGDOM AND IRELAND - CHAUVET® Europe Ltd.

General Information

Address: Unit 1C
Brookhill Road Industrial Estate
Pinxton, Nottingham, UK
NG16 6NT
Voice: +44 (0)1773 511115
Fax: +44 (0)1773 511110

Technical Support

Email: uktech@chauvetlighting.com

World Wide Web www.chauvetlighting.co.uk

MEXICO - CHAUVET® Mexico

General Information/Información General

Address/ Av. Santa Ana 30
Dirección: Parque Industrial Lerma
Lerma, Mexico C.P. 52000
Voice/Tel: +52 (728) 285-5000

Technical Support/Servicio Técnico

Email: info@chauvet.com.mx

World Wide Web www.chauvet.com.mx

Outside the U.S., United Kingdom, Ireland, or Mexico, contact your dealer. Follow their instructions to request support or to return a product. Visit our website for contact details.