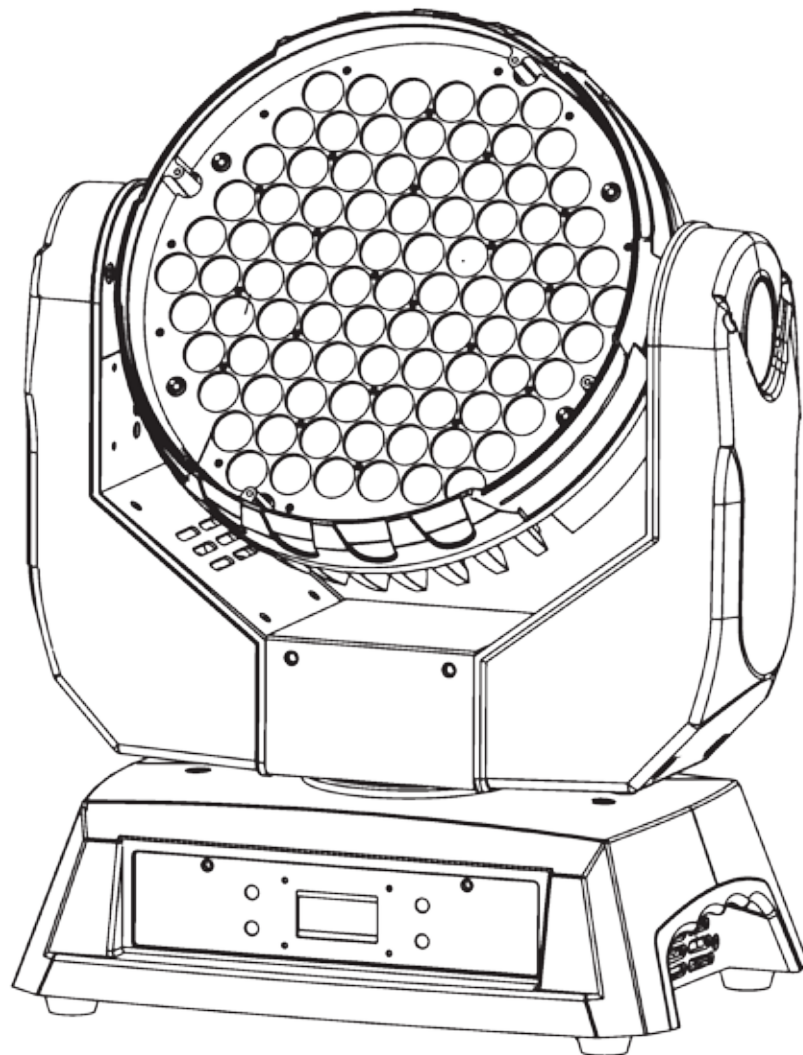


# *Q*-WASH™ 560Z-LED

## User Manual



**CHAUVET**  
PROFESSIONAL®

## Edition Notes

The Q-Wash™ 560Z-LED User Manual Rev.14 covers the description, safety precautions, installation, programming, operation, and maintenance of the Q-Wash™ 560Z-LED. Chauvet released this edition of the Q-Wash™ 560Z-LED User Manual in April 2015.

## Trademarks

CHAUVET® is a registered trademark of CHAUVET® & Sons Inc. (d/b/a CHAUVET® or Chauvet). The Chauvet logo in its entirety including the CHAUVET® name and the dotted triangle, and all other trademarks on this manual pertaining to services, products, or marketing statements are owned or licensed by Chauvet. Any other product names, logos, brands, company names, and other trademarks featured or referred to within this document are the property of their respective trademark holders.

## Copyright Notice

Chauvet owns the content of this user manual in its entirety, including but not limited to pictures, logos, trademarks, and resources.

© **Copyright 2015 Chauvet. All rights reserved.**

Electronically published by Chauvet in the United States of America.

## Manual Usage

Chauvet authorizes its customers to download and print this manual for professional information purposes only. Chauvet expressly prohibits the usage, copy, storage, distribution, modification, or printing of this manual or its content for any other purpose without written consent from Chauvet.

## Document Printing

For better results, print this document in color, on letter size paper (8.5 x 11 inches), double sided. If using A4 paper (210 x 297 mm), configure your printer to scale the content accordingly.

## Intended Audience

Any person in charge of installing, operating, and/or maintaining this product should completely read through the guide that shipped with the product, as well as this manual, before installing, operating, or maintaining this product.

## Disclaimer

Chauvet believes that the information contained in this manual is accurate in all respects. However, Chauvet assumes no responsibility for any errors or omissions in this document. Chauvet reserves the right to revise and make changes to the content of this document without obligation that Chauvet notify any person or company of such revision or changes. This does not in any way constitute a commitment by Chauvet to make such changes. Chauvet may issue a revision of this manual or a new edition to incorporate such changes.

## Document Revision

The Q-Wash™ 560Z-LED User Manual Rev. 14 supersedes all previous versions of this manual. Discard any older versions of this manual you may have, whether in printed or electronic format, and replace them with this version.

Author	Date	Editor	Date
D. Coupepe	4/2/15	M. Trouard	4/21/15

# Table of Contents

<b>1. Before You Begin .....</b>	<b>1</b>
What Is Included .....	1
Unpacking Instructions .....	1
Claims .....	1
Typographic Conventions .....	1
Icon Indications .....	2
Product at a Glance .....	2
Safety Notes.....	3
Expected LED Lifespan .....	3
<b>2. Introduction .....</b>	<b>4</b>
Product Description.....	4
Features .....	4
Additional Features.....	4
Product Overview.....	5
Product Dimensions.....	6
<b>3. Setup.....</b>	<b>7</b>
AC Power .....	7
AC Plug .....	7
Fuse Replacement .....	7
DMX Linking.....	8
DMX Modes.....	8
Master/Slave Connectivity .....	8
Mounting .....	9
Orientation.....	9
Rigging .....	9
<b>4. Operation.....</b>	<b>10</b>
Control Panel Description .....	10
Control Options .....	10
Programming.....	10
DMX Operation.....	10
Stand-alone Operation .....	10
Master/Slave.....	11
Display Mode.....	11
Software Version .....	11
Keylock.....	11
Fan .....	11
Reset.....	11
Dimmer Curve .....	12
Fader Reversal .....	12
Range Limitation.....	12
Reset Control.....	13
Move-in Black.....	13
Power .....	13
Color Settings.....	13
Fan Control.....	14
Color Calibration.....	14
White Calibration .....	14
System Default .....	15
Edit Custom.....	15
Menu Map .....	16
Extra Menu.....	17
DMX Values .....	18
BASIC.....	18
ADVANCED.....	19

G1.....	20
<b>5. Technical Information.....</b>	<b>21</b>
Product Maintenance.....	21
Troubleshooting Guide.....	22
Returns Procedure.....	23
Technical Specifications.....	24
<b>Contact Us.....</b>	<b>25</b>

# 1. Before You Begin

## What Is Included

- One Q-Wash™ 560Z-LED
- One IEC Power Cord with Edison Plug (US market)
- Two Omega Brackets
- Warranty Card
- Quick Reference Guide

## Unpacking Instructions

Immediately upon receiving this product, carefully unpack and check the container. Make sure you have received all the parts indicated above and all the parts are in good condition

## Claims

If the container or the material inside the container (the product and included accessories) appear damaged from shipping, or show signs of mishandling, upon receipt notify the carrier immediately, not Chauvet. Failure to notify the carrier in a timely manner may invalidate your claim. In addition, keep the container and all the packing material for inspection.

For other issues such as missing components or parts, damage not related to shipping, or concealed damage, file a claim with Chauvet within seven (7) days of receiving the merchandise.

Refer to the [Contact Us](#) section in this manual for addresses and phone numbers.

## Typographic Conventions

Convention	Meaning
1~512	A range of values in the text
50/60	A set of mutually exclusive values in the text
<i>Claims</i>	A new term, another document reference, or section or chapter in this document
<SET>	A button on the product's control panel
Settings	A product function or a menu option
MENU > Settings	A sequence of menu options
1~10	A range of menu values from which to choose in a menu
Yes/No	A set of two mutually exclusive menu options in a menu
ON	A unique value to be entered or selected in a menu

### Icon Indications

Icon	This icon indicates . . .
	Critical installation, configuration, or operation information. Failure to comply with this information may render the product partially or completely inoperative, damage third-party equipment, or cause harm to the user.
	Important installation or configuration information. Failure to comply with this information may prevent the product from functioning correctly.
	Useful, although non-critical information.



The term “DMX” used throughout this document refers to the USITT DMX512-A transmission protocol.

### Product at a Glance

Use on Dimmer	X	Auto Programs	P
Outdoor Use	X	Auto-ranging Power Supply	P
Sound Activated	X	Replaceable Fuse	P
DMX	P	User Serviceable	X
Master/Slave	P	Duty Cycle	X

## Safety Notes

Read all the following Safety Notes before working with this product. These Notes include important information about the installation, usage, and maintenance of this product.



**There are no user serviceable parts in this product. Any reference to servicing in this User Manual applies only to properly certified Chauvet technicians. Do not open the housing or attempt any repairs unless you are certified.**



**Please refer to all applicable local codes and regulations for proper installation of this product.**

### Personal Safety

- Avoid direct eye exposure to the light source while the product is on.
- Always disconnect this product from its power source before servicing.
- Always connect this product to a grounded circuit to avoid the risk of electrocution.
- Do not touch this product's housing when operating because it may be hot.

### Mounting and Rigging

- This product is for indoor use only! To prevent risk of fire or shock, do not expose this product to rain or moisture.
- CAUTION: When transferring product from extreme temperature environments, (e.g. cold truck to warm humid ballroom) condensation may form on the internal electronics of the product. To avoid causing a failure, allow product to fully acclimate to the surrounding environment before connecting it to power.
- Make sure there are no flammable materials close to this product while operating.
- When hanging this product, always secure it to a fastening device using a safety cable (included).
- Do not carry this product from the head; always use the handles.

### Power and Wiring

- Always make sure you are connecting this product to the proper voltage, as per the specifications in this manual or on the product's specification label.
- Never connect this product to a dimmer pack or rheostat.
- Never disconnect this product by pulling or tugging on the power cable.

### Operation

- Do not operate this product if you see damage on the housing, lenses, or cables. Have the damaged parts replaced by an authorized technician at once.
- To eliminate unnecessary wear and improve its lifespan, during periods of non-use completely disconnect the product from power via breaker or by unplugging it.
- Do not cover the ventilation slots when operating to avoid internal overheating.
- The maximum ambient temperature is 104 °F (40 °C). Do not operate this product at a higher temperature.
- In case of a serious operating problem, stop using this product immediately!



**In the unlikely event that your Chauvet product may require service, please contact Chauvet Technical Support.**

## Expected LED Lifespan

LEDs gradually decline in brightness over time, mostly because of heat. Packaged in clusters, LEDs exhibit higher operating temperatures than in ideal, single LED conditions. For this reason, using clustered LEDs at their fullest intensity significantly reduces the LEDs' lifespan. Under normal conditions, this lifespan can be of 40,000 to 50,000 hours. If extending this lifespan is vital, lower the operational temperature by improving the product's ventilation and reducing the external temperature. In addition, limiting the overall projection intensity may also help to extend the LEDs' lifespan.

## 2. Introduction

### Product Description

The Q-Wash™ 560Z-LED is an RGBWA LED moving yoke wash product. The Q-Wash™ 560Z-LED consists of a base section and a moving yoke with a pan range of up to 540°. The moving head, which has a tilt range of 270°, contains the 91 RGBW LEDs and the zoom motors. The base section has the 3- and 5-pin DMX input and output sockets, the IEC power input connector, and the LCD based control panel.

### Features

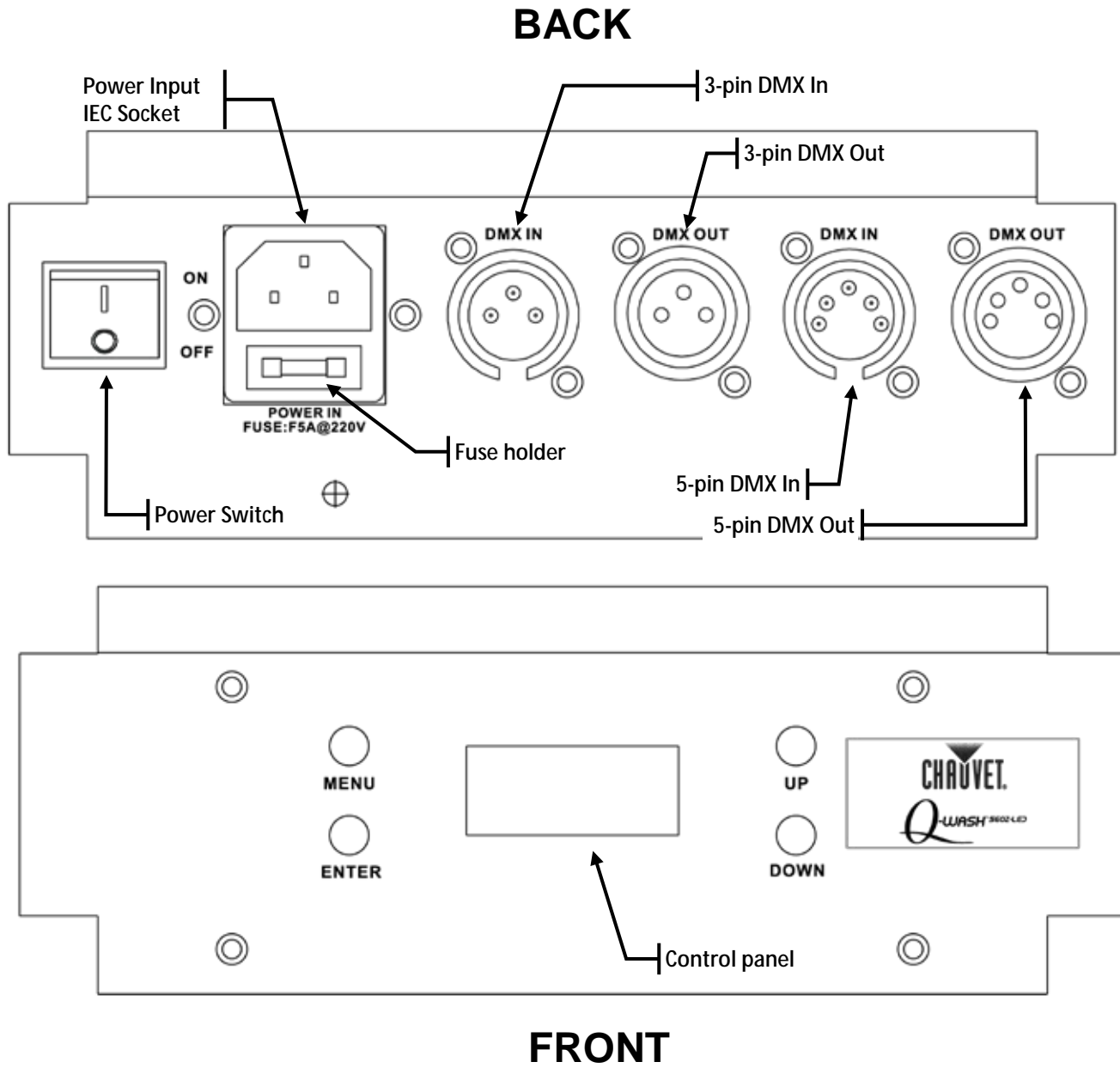
- 12 or 15-channel RGBWA LED moving yoke wash product
- Pan: 540°
- Tilt: 270°
- RGBWA color static mixing with or without DMX control
- Continuously variable zoom (6°~32°)
- Electronic strobe (0~20 Hz)
- Electronic dimmer (0~100%).
- High power setting
- Built-in automated programs
- Remote product reset and vector speed channel
- 255-step fully customizable program
- Dimming speed control via control panel or DMX
- Recall auto or custom programs via control panel or DMX
- Color temperature presets (3,200~10,000 K)
- Color calibration
- Fan speed control

### Additional Features

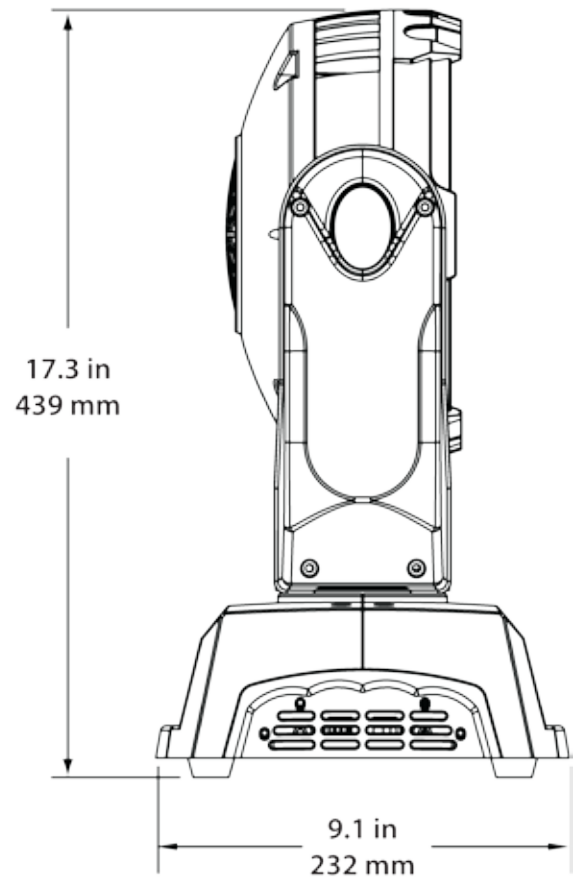
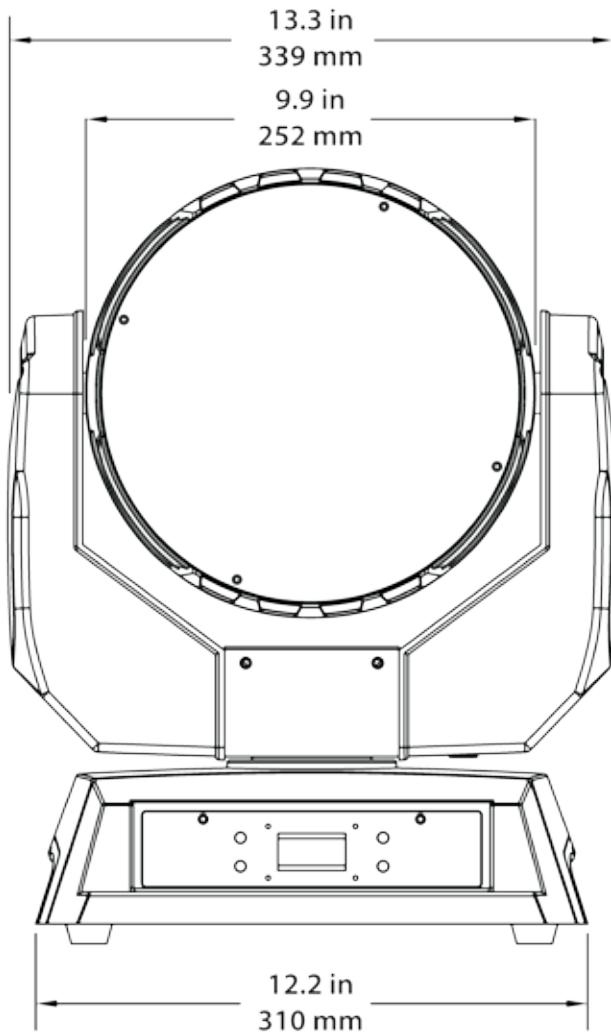
- 3- and 5-pin DMX input and output connectors
- LCD display with passcode protection



## Product Overview



## Product Dimensions



### 3. Setup

#### AC Power

The Q-Wash™ 560Z-LED has an auto-ranging power supply that works with an input voltage range of 100~240 VAC, 50/60 Hz.

Make sure that you are connecting this product to the proper voltage. To determine the power requirements for the Q-Wash™ 560Z-LED, refer to the specification label affixed to the product or the specifications in this manual.

Refer to the [Technical Specifications](#) chart in the *Technical Information* chapter.



- **Always connect this product to a protected circuit with an appropriate electrical ground to avoid the risk of electrocution or fire.**
- **To eliminate unnecessary wear and improve its lifespan, during periods of non-use completely disconnect the product from power via breaker or by unplugging it.**

The listed current rating indicates the maximum current draw during normal operation. For more information, download the document *Sizing the Circuit Breakers* from the Chauvet website: [www.chauvetprofessional.com](http://www.chauvetprofessional.com).



**Never connect this product to a rheostat (variable resistor) or dimmer circuit, even if the rheostat or dimmer channel serves only as a 0 to 100% switch.**

#### AC Plug

The Q-Wash™ 560Z-LED comes with a power input cord terminated with an IEC connector on one end and an Edison plug on the other end (US market). If the power input cord that came with your product has no plug or you need to change the Edison plug, use the table below to wire the new plug.

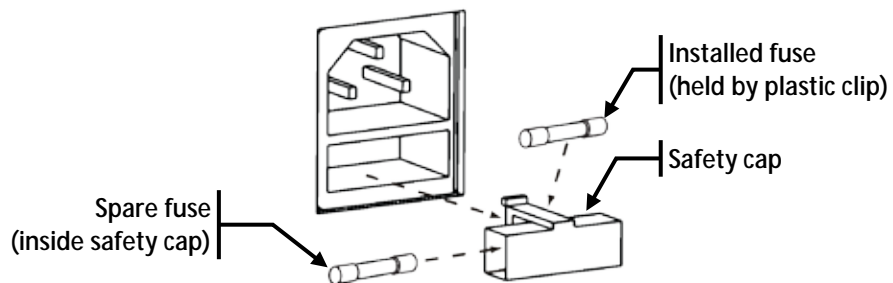
Connection	Wire (US)	Wire (Europe)	Screw Color (US)
AC Live	Black	Brown	Yellow or Brass
AC Neutral	White	Blue	Silver
AC Ground	Green/Yellow	Green/Yellow	Green



**Make sure to disconnect the product's power cord before replacing a blown fuse, and always replace it with a fuse of the same type and rating.**

#### Fuse Replacement

1. Disconnect the product from the power outlet.
2. Using a flat head screwdriver, wedge the tip into the slot of the fuse holder.
3. Pry the safety cap out of the housing to pull out the installed fuse.
4. Remove the blown fuse from the safety cap and replace with a fuse of the exact same type and rating.
5. Insert the fuse holder back in place and reconnect power.



## DMX Linking

You may link the Q-Wash™ 560Z-LED to a DMX controller using a standard DMX serial connection. If using other DMX compatible products with the Q-Wash™ 560Z-LED, you can control each individually with a single DMX controller.

## DMX Modes

The Q-Wash™ 560Z-LED uses the standard DMX data connection for its Basic, Advanced, and G1 DMX modes.

Refer to the [Introduction](#) chapter for a brief description of these modes.

Refer to the [Operation](#) chapter to learn how to configure the Q-Wash™ 560Z-LED to work in these modes.

The [DMX Values](#) section will provide you with detailed information regarding the DMX modes.

## Master/Slave Connectivity

The Master/Slave mode enables a Q-Wash™ 560Z-LED (the “master product”) to control one or more Q-Wash™ 560Z-LEDs (the “slave products”) without a DMX controller. One Q-Wash™ 560Z-LED becomes the master product when running an Auto or Custom program. You must configure each slave product’s control panel to operate in SLAVE mode. During Master/Slave operation, the slave products will operate in unison with the master product.



If you are not familiar with or need more information about DMX standards, master/slave connectivity, or the DMX cables needed to link this product to a DMX controller, download the document *DMX Primer* from the Chauvet website: [www.chauvetprofessional.com](http://www.chauvetprofessional.com).



**DO NOT connect a DMX controller to products operating in Master/Slave mode. The DMX controller signals may interfere with the signals from the master product.**



The [Operation](#) chapter of this manual provides detailed instructions on how to configure the Master and Slave products.

**Mounting**

Before mounting this product, read and follow the [Safety Notes](#). For our CHAUVET® Professional line of mounting clamps, go to <http://trusst.com/products/>.

**Orientation**

Always mount this product in a safe position with adequate room for ventilation, head motion, configuration, and maintenance.

**Rigging**

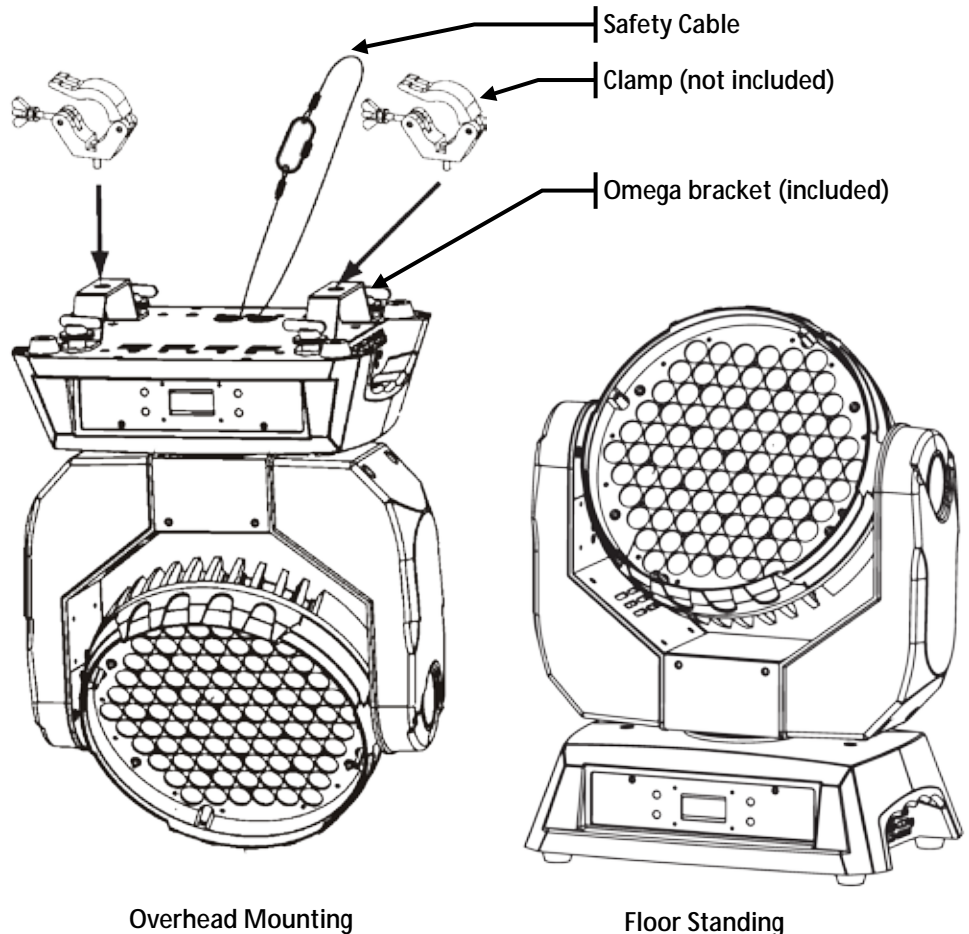
Chauvet recommends following the general guidelines below when mounting this product.

- When selecting an installation location, consider easy access to this product for operation, programming adjustments, and routine maintenance.
- Make sure to mount this product away from any flammable material as indicated in the *Safety Notes* section.
- Never mount in places where rain, high humidity, extreme temperature changes, or restricted ventilation may affect the product.
- If hanging this product, make sure that the mounting location can support the product's weight. Refer to the [Technical Specifications](#) section for the weight requirement of this product.

**Procedure**

The Q-Wash™ 560Z-LED comes with two omega brackets to which you can attach clamps. You must supply your own clamps and make sure that they are capable of supporting the weight of this product. You will have to use two mounting points per product. The omega brackets also serve to anchor this product to a panel. For floor standing operation, this product has built-in rubber feet.

Product Mounting Diagram



## 4. Operation

### Control Panel Description

Button	Function
<MENU>	Exits from the current menu or function
<ENTER>	Enables the currently displayed menu or sets the currently selected value in to the current function
<UP>	Navigates upwards through the menu list and increases the numeric value when in a function
<DOWN>	Navigates downwards through the menu list and decreases the numeric value when in a function

### Control Options

You can set the Q-Wash™ 560Z-LED start address in the 001~512 DMX range. This enables for the control of up to 34 products in the 15-channel ADVANCED personality.

### Programming

Refer to the [Menu Map](#) to understand the menu options. The menu map has a Menu Level and a variable number of programming levels for each option.

- To go to an option in the Menu Level, press <MENU> repeatedly until the option shows on the display. Press <ENTER> to select. This will take you to the first programming level for that option.
- To select an option or value within the current programming level, press <UP> or <DOWN> until the option shows on the display. Press <ENTER> to select. In this case, if there is another programming level, you will see that first option, or you will see the selected value.
- To exit to the previous menu level, press <MENU>.



**In the EDIT menu, <UP> and <DOWN> will only change the value of the current option. To change to the next option, press <ENTER>.**

### DMX Operation

1. Select a DMX operation.
  - a) Go to **MENU > INTRO > RUN**.
  - b) Select **DMX512**.
2. Select a DMX mode.
  - a) Go to **MENU > INTRO > CHANNELS**.
  - b) Select **BASIC, ADVANCED, or G1**.
3. Select the starting address.
  - a) Go to **MENU > INTRO > ADDRESS**.
  - b) Select a starting address, **001~498** (Advanced), **001~498** (G1) or **001~501** (Basic).

**The highest possible starting address for each DMX mode is:**

DMX Mode	DMX Address
Basic	501
Advanced	498
G1	498



### Stand-alone Operation

1. Go to **MENU > INTRO > RUN**.
2. Select a stand-alone operation mode (**AUTO 1, AUTO 2, CUSTOM, or TEST**).



**Of all the stand-alone operation modes indicated above, only “CUSTOM” is editable (see Edit Custom).**

## Master/Slave

The Master/Slave mode enables a group of Q-Wash™ 560Z-LED products (the slaves) to simultaneously duplicate the output of another Q-Wash™ 560Z-LED (the master), whether auto/custom or test modes, without a DMX controller.

1. Set the master unit:
  - a) Select a stand-alone mode, as indicated above.
2. Set each of the slave units:
  - a) Go to **MENU > INTRO > RUN**.
  - b) Select **SLAVE**.



- **The master product is the one that runs a program, whether Auto or Custom mode.**
- **Do not connect a DMX controller to the products configured for Master/Slave operation.**
- **The master product should be the first product in the DMX daisy string.**

## Display Mode

This mode defines how the LCD's backlight will work.

1. Go to **MENU > INTRO > DISPLAY**.
2. Select a display mode (**60 CLOSE** or **BRIGHT**).



- **When in the “60 CLOSE” setting, the LCD’s backlight will turn off after 60 s.**
- **When in the “BRIGHT” setting, the LCD’s backlight will stay on.**

## Software Version

This option will show the installed software version.

1. Go to **MENU > INTRO > INFO**. The display will show **Edition**.
2. Press **<ENTER>** to see the installed software version.

## Keylock

This option enables or disables the LCD key.

1. Go to **MENU > INTRO > KEYLOCK**.
2. Select **YES** or **NO**.



**When the control panel lock is active, the product will prompt you to enter the passcode after 30 seconds of control panel inactivity or after turning on the product.**



**The default (non-modifiable) passcode is <UP>, <DOWN>, <UP>, <DOWN>, and <ENTER>.**

## Fan

You can select the fan operation mode, as follows:

1. Go to **MENU > INTRO > FAN**.
2. Select **HIGH**, **NORMAL**, **LOW**, or **AUTO**.



**The product’s controller will force the fan to High if the product’s internal temperature becomes too high, despite any manual or DMX setting.**

## Reset

This option enables you to reset all custom settings to their default values.

1. Go to **MENU > INTRO > RESET**.
2. Select **YES** or **NO**.

## Dimmer Curve

This setting determines how fast the output of the Q-Wash™ 560Z-LED changes when you modify the values of the Red, Green, Blue, White, Amber, and Dimmer faders. This setting provides four different options to simulate the dimming curve of an incandescent lighting product.

To select the dimmer curve, do the following:

1. Go to **MENU > INTRO > DIMMER**.
2. Select **DIMMER 0~4**.



**DIMMER 0:** The output is proportional (linear) to the Dimmer and RGBW channel values.

**DIMMER 1~4:** The output follows the Dimmer and RGBW channel values based on the corresponding dimmer curve. **DIM1** is the fastest and **DIM4** is the slowest.

## Fader Reversal

This option enables you to define how the pan, tilt, and dimmer increase based on the direction you move the corresponding fader.

1. Go to **MENU > INVERT > PAN**.
2. Select a fader direction (**NORMAL** or **REVERSE**).
3. Go to **MENU > INVERT > TILT**.
4. Select a fader direction (**NORMAL** or **REVERSE**).
5. Go to **MENU > INVERT > DIMMER**.
6. Select a fader direction (**NORMAL** or **REVERSE**).
7. Go to **MENU > INVERT > USE**.
8. Select **YES** to activate the new settings or **NO** to stop using them.



- **When in NORMAL, the pan, tilt, and dimmer values will increase as the position of the respective fader increases.**
- **When in REVERSE, the pan, tilt, and dimmer values will decrease as the position of the respective fader increases.**

## Range Limitation

When necessary to limit the pan or tilt range, you can do the following:

1. Go to **MENU > RANGE > P/START**.
2. Select the starting point for the limited pan (**000~255**).
3. Go to **MENU > RANGE > P/FINISH**.
4. Select the finishing point for the limited pan (**000~255**).
5. Go to **MENU > RANGE > T/START**.
6. Select the starting point for the limited tilt (**000~255**).
7. Go to **MENU > RANGE > T/FINISH**.
8. Select the finishing point for the limited tilt (**000~255**).
9. Go to **MENU > RANGE > USE**.
10. Select **YES** to activate the new settings or **NO** to stop using them.



## Reset Control

You are able to select how you reset the product, whether from the DMX controller or only from the control panel.

1. Go to **MENU > SPECIAL > RESET**.
2. Select **DMX** or **SYSTEM**.



- DMX:** Enables the DMX controller to reset the product (**Control** function).
- SYSTEM:** Restricts the reset function to the control panel.

## Move-in Black

This option enables you to activate or deactivate the move-in black 3-seconds delay.

1. Go to **MENU > SPECIAL > BLACK**.
2. Select **YES** to enable the 3 seconds delay or **NO** to make the blackout immediate.

## Power

Use this function to boost the output power for specific, short-term applications.

1. Go to **MENU > SPECIAL > POWER**.
2. Select **NORMAL** or **HIGH**.



**The product will return to Normal if the LEDs' temperature becomes too high.**

## Color Settings

The **COLOR** setting determines how the Q-Wash™ 560Z-LED generates the white color based on various RGB settings.

1. Go to **MENU > SPECIAL > COLOR**.
2. Select **OFF**, **RGBTOW**, or **UC**.

**UC:** When the RGB faders are set to “255”, the output matches that of less efficient products (Universal Color).



**RGBTOW:** When the RGB faders are all set to “255”, the resulting output is defined by **RGB-W** (see **MENU > EXTRA > CALIB**).

**OFF:** When the RGB faders are all set to “255”, the output is maximum, although the resulting white color may not be balanced.

## Fan Control

This option defines how you can control the fan speed, either from the DMX controller or only from the control panel.

1. Go to **MENU > SPECIAL > FAN**.
2. Select **DMX** or **SYSTEM**.

**DMX:** Enables the DMX controller to control the fan speed (**Control** function).

**SYSTEM:** Restricts the control of the fan speed to the control panel.



## Color Calibration

If necessary, you may adjust the color temperature of each of the macros (**White1~11**).

1. Go to **MENU > EXTRA**.
2. Press **<ENTER>** (**PASSCODE**) will show on the display.
3. Press **<ENTER>** (**\*\*\*\*** will show on the display).
4. Enter the passcode, as explained in **Keylock (CALIB** will show on the display).
5. Press **<ENTER>** (**3200K** will show on the display).
6. Use **<UP>** or **<DOWN>** to select another color temperature (3400~10000 K), or press **<ENTER>** to edit the current temperature.
7. Select **RED, GREEN, or BLUE**.
8. Select a value (**000~255**).
9. Repeat for the other colors.

## White Calibration

You may calibrate the white color shown when the RGB faders are at **255** and the **MENU > SPECIAL > COLOR** setting is **RGBTOW**.

1. Go to **MENU > EXTRA**.
2. Press **<ENTER>** (**PASSCODE**) will show on the display.
3. Press **<ENTER>** (**\*\*\*\*** will show on the display).
4. Enter the passcode, as explained in **Keylock (CALIB** will show on the display).
5. Press **<ENTER>** (**3200K** will show on the display).
6. Use **<UP>** or **<DOWN>** to select **RGBW**.
7. Select **RED, GREEN, or BLUE**.
8. Select a value (**000~255**).
9. Repeat for the other colors.



## Menu Map

1 <sup>st</sup> Level	2 <sup>nd</sup> Level	3 <sup>rd</sup> Level	Description	
INTRO	ADDRESS	001-512	Selects a starting DMX address	
	RESET	NO/YES	Resets the product's custom settings	
	FAN	HIGH	000-255	Select the fan's operation mode. <b>NOTE:</b> The fan will go to <b>High</b> mode if the product's internal temperature becomes too high, despite any manual or DMX setting
		NORMAL		
		LOW		
		AUTO		
	RUN	DMX512		Selects DMX running mode
		AUTO 1		Selects the first automatic program
		AUTO 2		Selects the second automatic program
		CUSTOM		Selects the user customizable program
		SLAVE		Selects the Slave running mode
		TEST		Starts the product's test sequence
	CHANNELS	BASIC		Selects the 11-channel DMX mode
		ADVANCED		Selects the 15-channel DMX mode
		G1		Selects the 15-channel DMX mode
DISPLAY	60 CLOSE		Turns off the display after 60 seconds	
	BRIGHT		Keeps the display on	
KEYLOCK	NO/YES		Activates/deactivates the control panel passcode	
DIMMER	DIMMER4-1		Slow ( <b>DIMMER4</b> ) to fast ( <b>DIMMER1</b> ) dimmer curves	
	DIMMER0		Linear dimmer	
INFO	EDITION		Shows the version of the installed S/W	
INVERT	PAN	NORMAL/ REVERSE	Defines the direction of the pan fader	
	TILT		Defines the direction of the tilt fader	
	DIMMER		Defines the direction of the dimmer fader	
	USE	NO/YES	Activates the changes	
RANGE	P/START	000-255	Sets the pan start point (restricted range)	
	P/FINISH		Sets the pan end point (restricted range)	
	T/START		Sets the tilt start point (restricted range)	
	T/FINISH		Sets the tilt end point (restricted range)	
	USE		Activates the changes	
SPECIAL	BLACKD	NO/YES	Activates the move-in black delay (3 s)	
	RESET	DMX	The DMX controller can reset the product	
		SYSTEM	The control panel can reset the product	
	POWER	NORMAL/ HIGH	LEDs illuminate at normal or high intensity <b>NOTE:</b> The product will return to <b>Normal</b> if the LEDs' temperature becomes too high	
	COLOR	UC		RGBW = 255: The output matches that of older products
		RGBTOW		RGBW = 255: The RGBW output is set by <b>RGB-W</b>
		OFF		RGBW = 255: The RGBW output is maximum
FAN	DMX		The DMX controller can set the fan speed	
	SYSTEM		The control panel can reset the fan speed	
EDIT	STEP	000-255	Selects the program step	
	PAN		Selects the pan position	
	TILT		Selects the tilt position	
	SPEED		Selects the pan/tilt speed	
	RED		Combines red, green, blue, white, and amber to obtain a custom color	
	GREEN			
	BLUE			
	WHITE			
AMBER				

Continues on the next page

1 <sup>st</sup> Level	2 <sup>nd</sup> Level	3 <sup>rd</sup> Level	Description
EDIT (Cont.)	DIMMER	000~255	Selects the dimmer value
	STROBE	01~20	Selects the strobe frequency and mode
	ZOOM	000~255	Select the zoom position
	DIMSPEED		Selects the dimmer speed
	TIME		Selects the step duration
	USE	NO/YES	Activates the changes
EXTRA	PASSCODE	****	Opens the <b>Extra</b> menu (see below)

## Extra Menu

1 <sup>st</sup> Level	2 <sup>nd</sup> Level	3 <sup>rd</sup> Level	4 <sup>th</sup> Level	Description
CALIB	3200 K	RED	000~255	Sets color temperature for <b>White 1</b>
		GREEN		
		BLUE		
	3400 K	RED		Sets color temperature for <b>White 2</b>
		GREEN		
		BLUE		
	4200 K	RED		Sets color temperature for <b>White 3</b>
		GREEN		
		BLUE		
	4900 K	RED		Sets color temperature for <b>White 4</b>
		GREEN		
		BLUE		
	5600 K	RED		Sets color temperature for <b>White 5</b>
		GREEN		
		BLUE		
	5900 K	RED		Sets color temperature for <b>White 6</b>
		GREEN		
		BLUE		
	6500 K	RED		Sets color temperature for <b>White 7</b>
		GREEN		
		BLUE		
	7200 K	RED		Sets color temperature for <b>White 8</b>
		GREEN		
		BLUE		
	8000 K	RED		Sets color temperature for <b>White 9</b>
		GREEN		
		BLUE		
	000 K	RED		Sets color temperature for <b>White 10</b>
		GREEN		
		BLUE		
8500 K	RED	Sets color temperature for <b>White 11</b>		
	GREEN			
	BLUE			
10000 K	RED	Sets color temperature for <b>SPECIAL &gt; COLOR &gt; RGBTOW</b>		
	GREEN			
	BLUE			
DEFAULT	DEFAULT	NO/YES	N/A	Defaults the product to factory settings

## DMX Values

### BASIC

Channel	Function	Value	Percent/Setting
1	Pan	000 ó 255	0~540°
2	Tilt	000 ó 255	0~270°
3	Red	000 ó 255	0~100%
4	Green	000 ó 255	0~100%
5	Blue	000 ó 255	0~100%
6	White	000 ó 255	0~100%
7	Amber	000 ó 255	0~100%
8	Power and Color Macro	000 ó 005	No function
		006 ó 010	High power
		011 ó 030	R: 100% G: Up B: 0%
		031 ó 050	R: Down G: 100% B: 0%
		051 ó 070	R: 0% G: 100% B: Up
		071 ó 090	R: 0% G: Down B: 100%
		091 ó 110	R: Up G: 0% B: 100%
		111 ó 130	R: 100% G: 0% B: Down
		131 ó 150	R: 100% G: Up B: Up
		151 ó 170	R: Down G: Down B: 100%
		171 ó 200	R: 100% G: 100% B: 100%
		201 ó 205	White 1: 3200 K
		206 ó 210	White 2: 3400 K
		211 ó 215	White 3: 4200 K
		216 ó 220	White 4: 4900 K
		221 ó 225	White 5: 5600 K
		226 ó 230	White 6: 5900 K
231 ó 235	White 7: 6500 K		
236 ó 240	White 8: 7200 K		
241 ó 245	White 9: 8000 K		
246 ó 250	White 10: 8500 K		
251 ó 255	White 11: 10,000 K		
9	Dimmer	000 ó 255	0~100%
10	Strobe	000 ó 009	No function
		010 ó 255	01~20 Hz
11	Zoom	000 ó 255	6°~32°
12	Control	000 ó 019	No function
		020 ó 039	Pan/tilt black activation
		040 ó 059	Pan/tilt black deactivation
		060 ó 079	Automatic fan speed
		080 ó 099	Slow fan speed
		100 ó 119	Normal fan speed
		120 ó 139	High fan speed
		140 ó 149	Auto program 1 (3 s activation delay)
		150 ó 159	Auto program 2 (3 s activation delay)
		160 ó 169	Test (3 s activation delay)
		170 ó 179	Custom program (3 s activation delay)
		180 ó 199	No function
		200 ó 219	Reset (3 s activation delay)
		220 ó 235	No function
		236 ó 239	DIM0 (3 s activation delay)
		240 ó 243	DIM1 (3 s activation delay)
		244 ó 247	DIM2 (3 s activation delay)
248 ó 251	DIM3 (3 s activation delay)		
252 ó 255	DIM4 (3 s activation delay)		

## ADVANCED

Channel	Function	Value	Percent/Setting
1	Pan	000 ó 255	0~540°
2	Pan Fine	000 ó 255	Fine movement control
3	Tilt	000 ó 255	0~270°
4	Tilt Fine	000 ó 255	Fine movement control
5	Pan/Tilt Speed	000 ó 255	Fast~Slow
6	Red	000 ó 255	0~100%
7	Green	000 ó 255	0~100%
8	Blue	000 ó 255	0~100%
9	White	000 ó 255	0~100%
10	Amber	000 ó 255	0~100%
11	Power and Color Macro	000 ó 005	No function
		006 ó 010	High power
		011 ó 030	R: 100% G: Up B: 0%
		031 ó 050	R: Down G: 100% B: 0%
		051 ó 070	R: 0% G: 100% B: Up
		071 ó 090	R: 0% G: Down B: 100%
		091 ó 110	R: Up G: 0% B: 100%
		111 ó 130	R: 100% G: 0% B: Down
		131 ó 150	R: 100% G: Up B: Up
		151 ó 170	R: Down G: Down B: 100%
		171 ó 200	R: 100% G: 100% B: 100%
		201 ó 205	White 1: 3200 K
		206 ó 210	White 2: 3400 K
		211 ó 215	White 3: 4200 K
		216 ó 220	White 4: 4900 K
		221 ó 225	White 5: 5600 K
		226 ó 230	White 6: 5900 K
231 ó 235	White 7: 6500 K		
236 ó 240	White 8: 7200 K		
241 ó 245	White 9: 8000 K		
246 ó 250	White 10: 8500 K		
251 ó 255	White 11: 10,000 K		
12	Dimmer	000 ó 255	0~100%
13	Strobe	000 ó 009	No function
		010 ó 255	01~20 Hz
14	Zoom	000 ó 255	6°~32°
15	Control	000 ó 019	No function
		020 ó 039	Pan/tilt black activation
		040 ó 059	Pan/tilt black deactivation
		060 ó 079	Automatic fan speed
		080 ó 099	Slow fan speed
		100 ó 119	Normal fan speed
		120 ó 139	High fan speed
		140 ó 149	Auto program 1 (3 s activation delay)
		150 ó 159	Auto program 2 (3 s activation delay)
		160 ó 169	Test (3 s activation delay)
		170 ó 179	Custom program (3 s activation delay)
		180 ó 199	No function
		200 ó 219	Reset (3 s activation delay)
		220 ó 235	No function
		236 ó 239	DIM0 (3 s activation delay)
		240 ó 243	DIM1 (3 s activation delay)
		244 ó 247	DIM2 (3 s activation delay)
248 ó 251	DIM3 (3 s activation delay)		
252 ó 255	DIM4 (3 s activation delay)		

**G1**

Channel	Function	Value	Percent/Setting
1	Pan	000 ó 255	0~540°
2	Pan Fine	000 ó 255	Fine movement control
3	Tilt	000 ó 255	0~270°
4	Tilt Fine	000 ó 255	Fine movement control
5	Pan/Tilt Speed	000 ó 255	Fast~Slow
6	Red	000 ó 255	0~100%
7	Green	000 ó 255	0~100%
8	Blue	000 ó 255	0~100%
9	White	000 ó 255	0~100%
10	Power and Color Macro	000 ó 005	No function
		006 ó 010	High power
		011 ó 030	R: 100%    G: Up        B: 0%
		031 ó 050	R: Down    G: 100%    B: 0%
		051 ó 070	R: 0%        G: 100%    B: Up
		071 ó 090	R: 0%        G: Down     B: 100%
		091 ó 110	R: Up         G: 0%        B: 100%
		111 ó 130	R: 100%     G: 0%        B: Down
		131 ó 150	R: 100%     G: Up        B: Up
		151 ó 170	R: Down     G: Down     B: 100%
		171 ó 200	R: 100%     G: 100%    B: 100%
		201 ó 205	White 1:    3200 K
		206 ó 210	White 2:    3400 K
		211 ó 215	White 3:    4200 K
		216 ó 220	White 4:    4900 K
		221 ó 225	White 5:    5600 K
		226 ó 230	White 6:    5900 K
231 ó 235	White 7:    6500 K		
236 ó 240	White 8:    7200 K		
241 ó 245	White 9:    8000 K		
246 ó 250	White 10:   8500 K		
251 ó 255	White 11:   10,000 K		
11	Dimmer	000 ó 255	0~100%
12	Strobe	000 ó 009	No function
		010 ó 255	01~20 Hz
13	Zoom	000 ó 255	6°~32°
14	Dim Speed	000 ó 009	Uses display menu setting
		010 ó 029	DIM0 (3 s activation delay)
		030 ó 069	DIM1 (3 s activation delay)
		070 ó 129	DIM2 (3 s activation delay)
		130 ó 189	DIM3 (3 s activation delay)
		190 ó 255	DIM4 (3 s activation delay)
15	Control	000 ó 019	No function
		020 ó 039	Pan/tilt black activation
		040 ó 059	Pan/tilt black deactivation
		060 ó 079	Automatic fan speed
		080 ó 099	Slow fan speed
		100 ó 119	Normal fan speed
		120 ó 139	High fan speed
		140 ó 149	Auto program 1 (3 s activation delay)
		150 ó 159	Auto program 2 (3 s activation delay)
		160 ó 169	Test (3 s activation delay)
		170 ó 179	Custom program (3 s activation delay)
		180 ó 199	No function
		200 ó 219	Reset (3 s activation delay)
		220 ó 255	No function



## 5. Technical Information

### Product Maintenance

To maintain optimum performance and minimize wear, you should clean this product frequently. Usage and environment are contributing factors in determining the cleaning frequency.

As a rule, clean this product at least twice a month. Dust build up reduces light output performance and can cause overheating. This can lead to reduced light source life and increased mechanical wear.

To clean your product:

1. Unplug the product from power.
2. Wait until the product is has cooled.
3. Use a vacuum (or dry compressed air) and a soft brush to remove dust collected on the external vents and accessible internal components.
4. Clean all external optics and glass surfaces with a mild solution of non-ammonia glass cleaner or isopropyl alcohol.
5. Apply the solution directly to a soft, lint-free cotton cloth or a lens cleaning tissue.
6. Drag any dirt or grime to the outside of the glass surface.
7. Gently polish the glass surfaces until they are free of haze and lint.



**Always dry the external optics and glass surfaces carefully after cleaning them.**



**Refrain from spinning this product's fans using compressed air.**

## Troubleshooting Guide

Symptom	Cause(s)	Action(s)
Product is on LEDs are off	Product defaulted	Configure product's parameters
	Faulty LED board	Send unit for repair
	Faulty LED Driver board	
	Faulty LED Control board	
	Faulty Display board	
Product and LEDs are on Head fan is off	Faulty head fan	Send unit for repair
	Faulty sensor or wiring	Send unit for repair
Product and LEDs are on Zoom is inactive	Faulty wiring	Send unit for repair
	Faulty zoom servo	Send unit for repair
	Faulty LED Control board	
	Faulty Display board	
Pan movement problem	Faulty sensor	Send unit for repair
	Faulty pan belt	Send unit for repair
	Faulty pan motor	Send unit for repair
	Faulty Display board	Send unit for repair
Tilt movement problem	Faulty tilt sensor	Send unit for repair
	Faulty tilt belt	Send unit for repair
	Faulty tilt motor	Send unit for repair
	Faulty Display board	Send unit for repair
Circuit breaker/fuse keeps tripping/blowing	Excessive circuit load	Reduce total load placed on the electrical circuit
	Short circuit along the power wires	Check electrical wiring
Product does not power up	No power	Check for voltage on outlet
	Loose or damaged power cord	Check power cord
	Blown fuse	Replace fuse
	Faulty internal power supply	Send unit for repair
Product does not respond to wired DMX or responds erratically	Wrong DMX addressing	Check unit addressing
	Damaged DMX cables	Check DMX cables
	Wrong polarity on the controller	Check polarity switch settings on the controller
	Loose DMX cables	Check cable connections
	Non DMX cables	Use only DMX compatible cables
	Bouncing signals	Install terminator as suggested
	Long cable / low level signal	Install an optically coupled DMX splitter before a long section of cable or right after the product with the strong signal
	Too many products	Install an optically coupled DMX splitter after unit #32
	Interference from AC wires	Keep DMX cables separated from power cables or fluorescent/black lights
	Faulty Display board	Send unit for repair



If you still experience technical problems after trying the above solutions or if you need to send the unit for repair, contact [Chauvet Technical Support](#).

## Returns Procedure

You must send the merchandise prepaid, in the original box, and with the original packing and accessories. Chauvet will not issue call tags.

Call Chauvet and request a Return Merchandise Authorization (RMA) number before shipping the product. Be prepared to provide the model number, serial number, and a brief description of the cause for the return.

Clearly label the package with a Return Merchandise Authorization (RMA) number. Chauvet will refuse any product returned without an RMA number.



**DO NOT write the RMA number directly on the box. Instead, write it on a properly affixed label.**

Once you have received the RMA number please include the following information on a piece of paper inside the box:

- Your name
- Your address
- Your phone number
- The RMA number
- A brief description of the problem

Be sure to pack the product properly. Any shipping damage resulting from inadequate packaging will be the customer's responsibility. As a suggestion, proper FedEx packing or double-boxing is the method Chauvet recommends.



**Chauvet reserves the right to use its own discretion to repair or replace returned product(s).**

## Technical Specifications

Dimensions and Weight	Length	Width	Height	Weight
	9.1 in (232 mm)	13.3 in (339 mm)	14.2 in (361 mm)	21.2lbs (9.62kg)

**Note:** Dimensions in inches rounded to the nearest decimal digit.

Electrical	Power Supply Type	Range	Voltage Selection
	Switching (internal)	100~240 V, 50/60 Hz	Auto-ranging

Parameter	120 V, 60 Hz	230 V, 50 Hz
Consumption	309W (2.7A)	289W (1.4A)
Inrush current	N/A	N/A

Power I/O	Input	Output
Connectors	IEC	N/A
Cord plug	Edison	N/A

Light Source	Type	Power	Current	Lifespan
	LED	3 W	942 mA	50,000 hours

Color	Quantity
Red	22
Green	23
Blue	22
White	12
Amber	12

Photometrics	Parameter	6°~32° Zoom
	Illuminance @ 5 m	13,100 lx (6° Zoom)
	Beam angle	6°~32°
	Field angle	9°~37°

Motion	Pan	Tilt
	0~540°	0~270°

Thermal	Max. External Temperature	Cooling System
	104 °F (40 °C)	Forced (fans)

DMX	I/O Connectors	Connector Type	Channel Range
	3- and 5- pin XLR	Sockets	12,15

Ordering	Product Name	Item Code	Item Number
	Q-Wash™ 560Z-LED	01010397	QWASH560ZLED



CONFORMS TO  
UL STD. 1573  
CERTIFIED TO  
CSA STD. C22.2  
No. 166

## Contact Us

### **WORLD HEADQUARTERS - Chauvet**

#### **General Information**

Address: 5200 NW 108th Avenue  
Sunrise, FL 33351  
Voice: (954) 577-4455  
Fax: (954) 929-5560  
Toll free: (800) 762-1084

### **UNITED KINGDOM AND IRELAND - Chauvet Europe Ltd.**

#### **General Information**

Address: Unit 1C  
Brookhill Road Industrial Estate  
Pinxton, Nottingham, UK  
NG16 6NT  
Voice: +44 (0)1773 511115  
Fax: +44 (0)1773 511110

### **MEXICO - Chauvet Mexico**

#### **General Information**

Address: Av. Santa Ana 30  
Parque Industrial Lerma  
Lerma, Mexico C.P. 52000  
Voice: +52 (728) 285-5000

### **CHAUVET EUROPE - Chauvet Europe BVBA**

#### **General Information**

Address: Stokstraat 18  
9770 Kruishoutem  
Belgium  
Voice: +32 9 388 93 97

Outside the U.S., United Kingdom, Ireland, Mexico, or Benelux contact the dealer of record. Follow their instructions to request support or to return a product. Visit our website for contact details.

#### **Technical Support**

Voice: (954) 577-4455 (Press 4)  
Fax: (954) 756-8015  
Email: [tech@chauvetlighting.com](mailto:tech@chauvetlighting.com)

**World Wide Web** [www.chauvetlighting.com](http://www.chauvetlighting.com)

#### **Technical Support**

Email: [uktech@chauvetlighting.com](mailto:uktech@chauvetlighting.com)

**World Wide Web** [www.chauvetlighting.co.uk](http://www.chauvetlighting.co.uk)

#### **Technical Support**

Email: [servicio@chauvet.com.mx](mailto:servicio@chauvet.com.mx)

**World Wide Web** [www.chauvet.com.mx](http://www.chauvet.com.mx)

#### **Technical Support**

Email: [Eutech@chauvetlighting.eu](mailto:Eutech@chauvetlighting.eu)

**World Wide Web** [www.chauvetlighting.eu](http://www.chauvetlighting.eu)