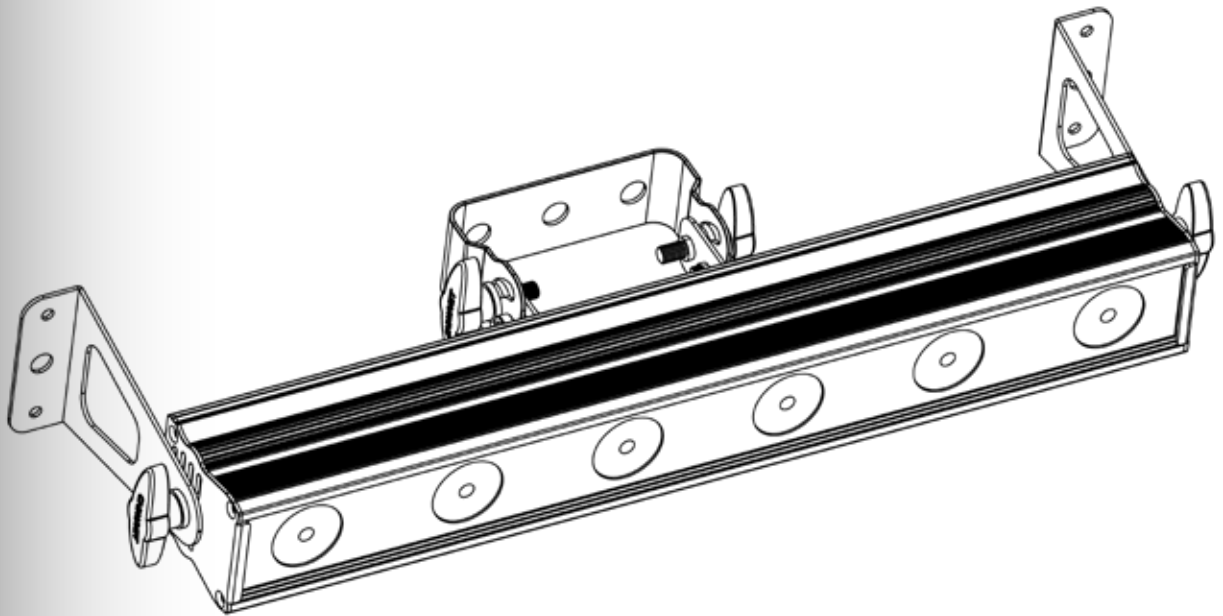


COLORdash Batter-Quad 6

User Manual




CHAUVET
PROFESSIONAL

Edition Notes The COLORdash Batten-Quad 6 User Manual Rev. 7 covers the description, safety precautions, installation, programming, operation, and maintenance of the COLORdash Batten-Quad 6. Chauvet released this edition of the COLORdash Batten-Quad 6 User Manual in January 2017.

Trademarks CHAUVET is a registered trademark of CHAUVET & Sons LLC. (d/b/a CHAUVET or Chauvet). The CHAUVET logo in its entirety including the CHAUVET name and the dotted triangle, and all other trademarks in this manual pertaining to services, products, or marketing statements are owned or licensed by Chauvet. Any other product names, logos, brands, company names, and other trademarks featured or referred to within this document are the property of their respective trademark holders.

Copyright Notice Chauvet owns the content of this User Manual in its entirety, including but not limited to pictures, logos, trademarks, and resources.

© **Copyright 2017 Chauvet. All rights reserved.**

Electronically published by Chauvet in the United States of America.

Manual Use Chauvet authorizes its customers to download and print this manual for professional information purposes only. Chauvet expressly prohibits the usage, copy, storage, distribution, modification, or printing of this manual or its content for any other purpose without written consent from Chauvet.

Document Printing For better results, print this document in color, on letter size paper (8.5 x 11 in), double-sided. If using A4 paper (210 x 297 mm), configure your printer to scale the content accordingly.

Intended Audience Any person in charge of installing, operating, and/or maintaining this product should completely read through the guide that shipped with the product, as well as this manual, before installing, operating, or maintaining this product.

Disclaimer Chauvet believes that the information contained in this manual is accurate in all respects. However, Chauvet assumes no responsibility for any errors or omissions in this document. Chauvet reserves the right to revise and make changes to the content of this document without obligation that Chauvet notify any person or company of such revision or changes. This does not in any way constitute a commitment by Chauvet to make such changes. Chauvet may issue a revision of this manual or a new edition to incorporate such changes.

Document Revision The COLORdash Batten-Quad 6 User Manual Rev. 7 supersedes all previous versions of this manual. Discard any older versions of this manual you may have, whether in printed or electronic format, and replace with this version.

Table of Contents

1. Before You Begin	1
What Is Included	1
Claims	1
Text Conventions	1
Symbols	1
Product at a Glance	2
Safety Notes	2
Personal Safety	2
Mounting and Rigging	2
Power and Wiring	2
Operation	2
Expected LED Lifespan	2
2. Introduction	3
Product Description	3
Features	3
Product Overview	4
Product Dimensions	5
3. Setup	6
AC Power	6
AC Plug	6
Fuse Replacement	6
Power Linking	7
DMX Linking	7
DMX Modes	7
Master/Slave Connectivity	7
Mounting	8
Orientation	8
Rigging	8
4. Operation	9
Control Panel Description	9
Control Options	9
Programming	9
DMX Personality	9
DMX Control	9
Static Color	10
Auto Programs	10
Auto Test	10
Master/Slave	10
Dimmer Curves	11
Software Information	11
Fixture Hours	11
Backlight	11
White Balance	11
Menu Map	12
DMX Values	13
DMX Values (cont.)	14
DMX Values (cont.)	15
5. Technical Information	16
Product Maintenance	16
Returns	16
Technical Specifications	17
Contact Us	18

1. Before You Begin

- What Is Included**
- COLORdash Batten-Quad 6
 - Power Cable
 - 2 Trunnions
 - Warranty Card
 - Quick Reference Guide

Claims Carefully unpack the product immediately and check the box to make sure all the parts are in the package and are in good condition.




If the box or the contents (the product and included accessories) appear damaged from shipping or show signs of mishandling, notify the carrier immediately, not Chauvet. Failure to report damage to the carrier immediately may invalidate your claim. In addition, keep the box and contents for inspection.

For other issues, such as missing components or parts, damage not related to shipping, or concealed damage, file a claim with Chauvet within 7 days of delivery.

Text Conventions

Convention	Meaning
1~512	A range of values in the text
50/60	A set of mutually exclusive values in the text
<SET>	A button on the product’s control panel
Settings	A product function or a menu option
MENU>Settings	A sequence of menu options
1~10	A range of menu values from which to choose in a menu
Yes/No	A set of two mutually exclusive menu options in a menu
ON	A unique value to be entered or selected in a menu

Symbols

Symbols	Meaning
	Critical installation, configuration, or operation information. Failure to comply with this information may cause the product not to work, damage third-party equipment, or cause harm to the operator.
	Important installation or configuration information. Failure to comply with this information may keep the product from working.
	Useful information.



The term “DMX” used throughout this manual refers to the USITT DMX512-A digital data transmission protocol.

Product at a Glance	Use on Dimmer	X	Auto Programs	P
	Outdoor Use	X	Auto-Ranging Power Supply	P
	Sound Activated	X	Replaceable Fuse	P
	DMX	P	User Serviceable	X
	Master/Slave	P	Duty Cycle	X

Safety Notes

Read all the following Safety Notes before working with this product. These notes include important information about the installation, usage, and maintenance of this product.



This product contains no user-serviceable parts. Any reference to servicing in this User Manual will only apply to properly trained Chauvet certified technicians. Do not open the housing or attempt any repairs.



All applicable local codes and regulations apply to proper installation of this product.

Personal Safety

- Avoid direct eye exposure to the light source while the product is on.
- Always disconnect this product from its power source before servicing.
- Always connect this product to a grounded circuit to avoid the risk of electrocution.
- Do not touch this product's housing during operation because it may be very hot.
- Do not operate this product outdoors or in any location where dust, excessive heat, water, or humidity may affect it.
- CAUTION: When transferring product from extreme temperature environments, (e.g. cold truck to warm humid ballroom) condensation may form on the internal electronics of the product. To avoid causing a failure, allow product to fully acclimate to the surrounding environment before connecting it to power.
- Make sure there are no flammable materials close to this product while it is operating.
- When hanging this product, always secure to a fastening device using a safety cable.

Mounting and Rigging

Power and Wiring

- Always make sure you are connecting this product to the proper voltage in accordance with the specifications in this manual or on the product's specification label.
- Never connect this product to a dimmer pack or rheostat.
- Never disconnect this product by pulling or tugging on the power cable.

Operation

- Do not operate this product if you see damage on the housing, lenses, or cables. Have the damaged parts replaced by an authorized technician at once.
- To eliminate unnecessary wear and improve its lifespan, during periods of non-use completely disconnect the product from power via breaker or by unplugging it.
- Do not cover the ventilation slots when operating to avoid internal overheating.
- The maximum ambient temperature is 104 °F (40 °C). Do not operate this product at a higher temperature.
- In case of a serious operating problem, stop using this product immediately!



Expected LED Lifespan

In the unlikely event that your Chauvet product may require service, contact Chauvet Technical Support.

LEDs gradually decline in brightness over time, mostly because of heat. Packaged in clusters, LEDs exhibit higher operating temperatures than in ideal, single-LED conditions. For this reason, using clustered LEDs at their fullest intensity significantly reduces the LEDs' lifespan. Under normal conditions, this lifespan can be 40,000 to 50,000 hours. If extending this lifespan is vital, lower the operating temperature by improving the ventilation around the product and reducing the ambient temperature to an optimal operating range. In addition, limiting the overall projection intensity may also help to extend the LEDs' lifespan.

2. Introduction

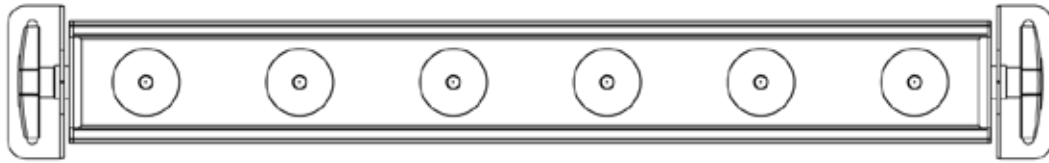
Product Description

The COLORdash Batten-Quad 6 is a high-power quad color RGBA LED-based linear wash light. It consists of a rectangular housing with 6 quad-colored LEDs arranged in a single row. It comes with a hanging bracket and adjustable side brackets for floor mounting.

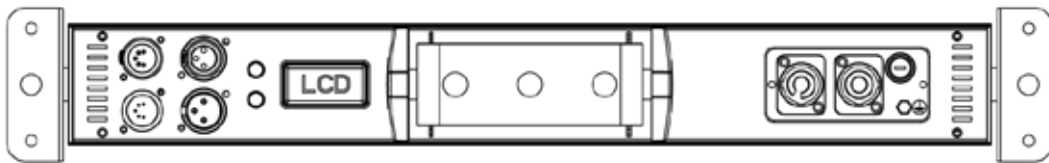
Features

- 4-, 6-, 10-, 24-, or 28-channel quad-colored LED wash product
- Operating modes:
 - 4-channel: RGBA
 - 6-channel: RGBA, dimmer, strobe
 - 10-channel: RGBA, dimmer, strobe, macro, auto, dim mode, auto speed
 - 24-channel: RGBA control per quad-color LED
 - 28-channel: RGBA per pixel, dimmer, strobe, auto, auto speed
- Silent, flicker-free operation
- Individual pixel control
- Neutrik® powerCON® connectors
- Maintain pixel pitch end to end or stacking
- 16-bit dimming with selectable dimming curves
- All metal construction for added durability

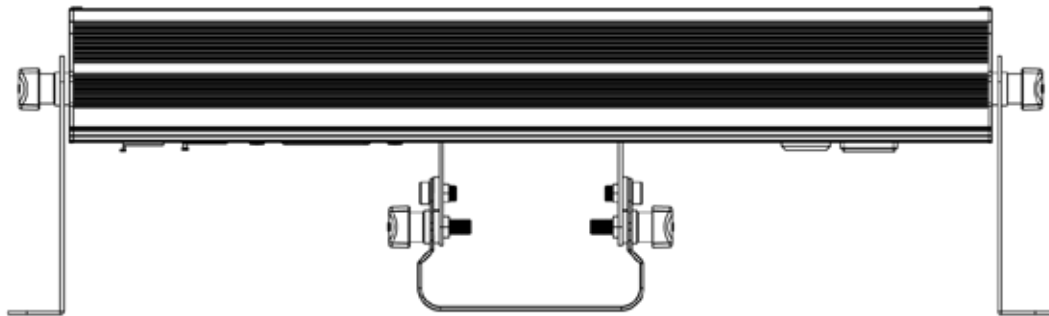
Product Overview



Front View



Rear View

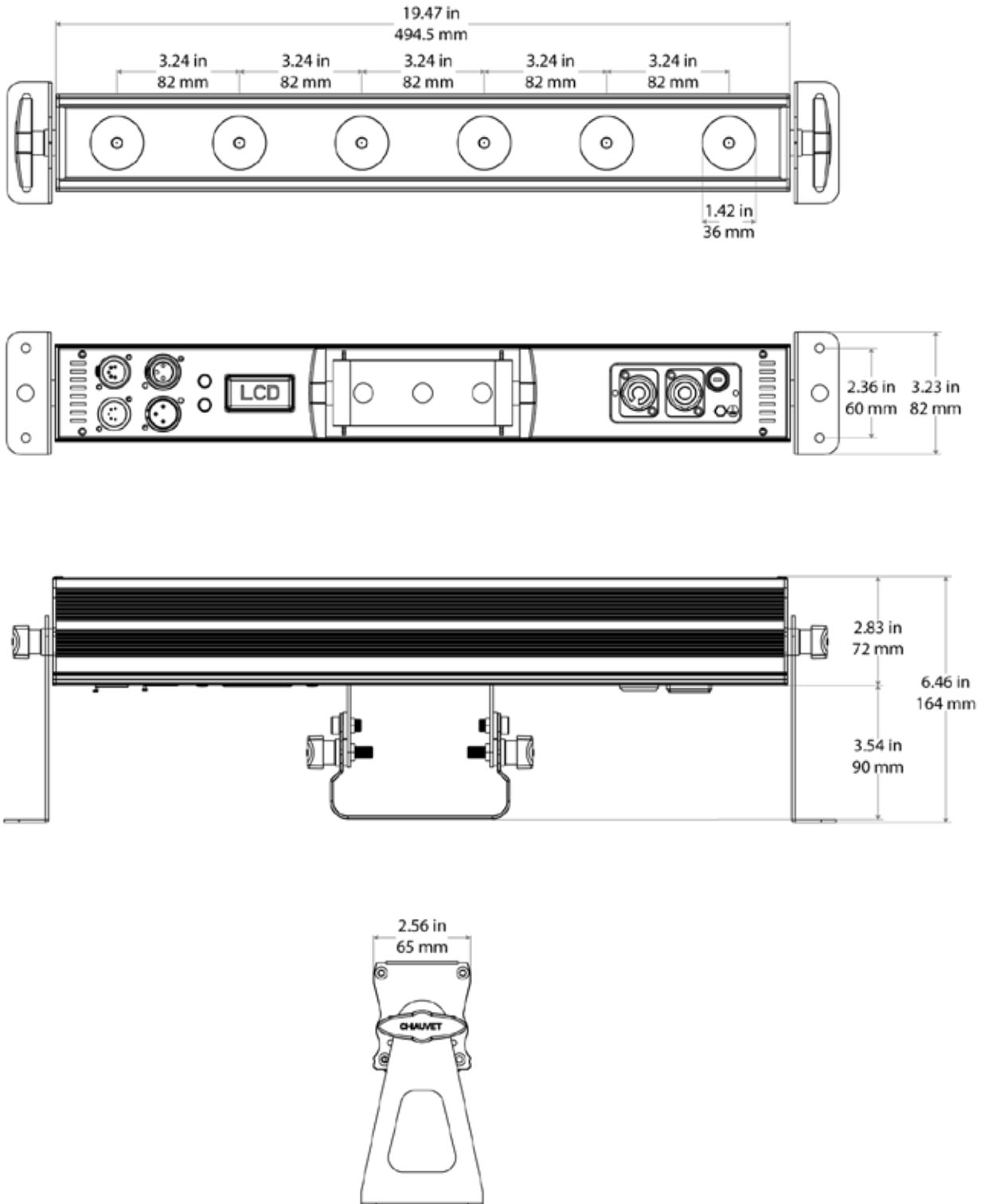


Side View



End View

Product Dimensions



3. Setup

AC Power

Each COLORdash Batten-Quad 6 has an auto-ranging power supply that works with an input voltage range of 100~240 VAC, 50/60 Hz. To determine the power requirements for each COLORdash Batten-Quad 6, refer to the label affixed to the product. You can also refer to the [Technical Specifications](#) chart in this manual.

The listed current rating indicates the maximum current draw during normal operation. For more information, download Sizing Circuit Breakers from the Chauvet website: www.chauvetprofessional.com.



- **Always connect this product to a protected circuit with an appropriate electrical ground to avoid the risk of electrocution or fire.**
- **To eliminate unnecessary wear and improve its lifespan, during periods of non-use completely disconnect the product from power via breaker or by unplugging it.**



Never connect this product to a rheostat (variable resistor) or dimmer circuit, even if the rheostat or dimmer channel serves only as a 0 to 100% switch.

AC Plug

The COLORdash Batten-Quad 6 comes with a power input cord terminated with an IEC connector on one end and an Edison plug on the other end (U.S. market). If the power input cord that came with your product has no plug or you need to change the Edison plug, use the table below to wire the new plug.

Connection	Wire (U.S.)	Wire (Europe)	Screw Color
AC Live	Black	Brown	Yellow or Brass
AC Neutral	White	Blue	Silver
AC Ground	Green/Yellow	Green/Yellow	Green



Make sure to disconnect the product's power cord before replacing a blown fuse. Always replace with a fuse of the same type and rating.

Fuse Replacement

1. Disconnect the product from power.
2. Using a Flat head screwdriver, unscrew the fuse holder cap from the housing.
3. Remove the blown fuse and replace with another fuse of the same type and rating (T2 A, 250 V).
4. Screw the fuse holder cap back in place and reconnect power.

Power Linking

The COLORdash Batten-Quad 6 supports power linking. You can power link up to 17 products at 120 VAC, 30 products at 208 VAC, or 33 products at 230 VAC.

This product comes with a power input cord. This product does not come with a power linking cable; however, a power linking cable is available as an option.

DMX Linking

You can link the COLORdash Batten-Quad 6 to a DMX controller using a standard DMX serial connection. If using other DMX compatible products with the COLORdash Batten-Quad 6, you can control each individually with a single DMX controller.

DMX Modes

The COLORdash Batten-Quad 6 uses the standard DMX data connection for the 4-, 6-, 10-, 24-, and 28-channel DMX modes.

- Refer to the [Introduction](#) chapter for a brief description of these modes.
- Refer to the [Operation](#) chapter to learn how to configure the COLORdash Batten-Quad 6 to work in these modes.
- The [DMX Values](#) section will provide you with detailed information regarding the DMX modes.

Master/Slave Connectivity

The Master/Slave mode allows a COLORdash Batten-Quad 6 (the “master product”) to control one or more COLORdash Batten-Quad 6 products (the “slave products”) without a DMX controller. One COLORdash Batten-Quad 6 becomes the master product when running an Auto or Fixed program, or by being in Manual mode.

You must configure each slave product’s control panel to operate in SLAVE mode. During Master/Slave operation, the slave products will operate in unison with the master product.



DO NOT connect a DMX controller to products operating in Master/Slave mode. The DMX controller signals may interfere with the signals from the master product.

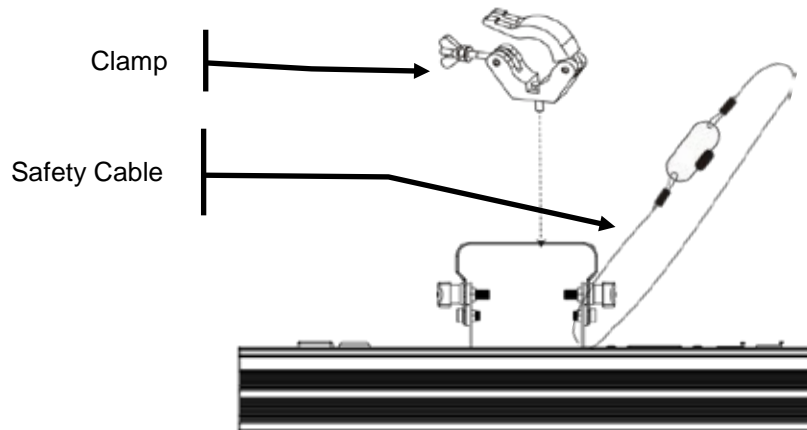


The [Operation](#) chapter of this manual provides detailed instructions on how to configure the Master and Slave products.



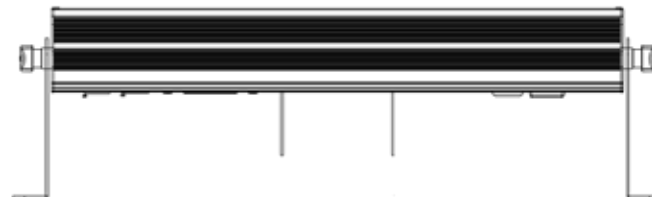
If you are not familiar with or need more information about DMX standards, Master/Slave connectivity, or the DMX cables needed to link this product to a DMX controller, download the DMX Primer from the Chauvet website: www.chauvetprofessional.com.

- Mounting** Before mounting this product, read and follow the [Safety Notes](#). For our CHAUVET Professional line of mounting clamps, go to <http://trusst.com/products/>.
- Orientation** Always mount this product in a safe position and make sure there is adequate room for ventilation, configuration, and maintenance.
- Rigging** The COLORdash Batten-Quad 6 consists of a double-bracketed yoke and the body of the product Chauvet recommends using the following general guidelines when mounting.
- When selecting an installation location, consider easy access to this product for operation, programming adjustments, and routine maintenance.
 - Make sure to mount this product away from any flammable material as indicated in the [Safety Notes](#).
 - Never mount in places where rain, high humidity, extreme temperature changes, or restricted ventilation may affect the product.
 - If hanging this product, make sure that the mounting location can support the product's weight. Refer to the [Technical Specifications](#) chart for the weight-bearing requirements of this product.
 - When hanging this product, always secure to a fastening device using a safety cable.
- Procedure** The COLORdash Batten-Quad 6 comes with a double-bracketed yoke to which you can either attach mounting clamps for hanging or simply use as a floor stand. You must supply your own mounting clamps. Make sure the clamps are capable of supporting the weight of this product. Use at least one mounting point per product.



Product Mounting Diagram

Overhead Mounting



Floor Mounting

4. Operation

Control Panel Description

Button	Function
<MENU>	Exits from the current menu or function
<ENTER>	Enables the currently displayed menu or sets the currently selected value in to the current function
<UP>	Navigates upward through the menu list and increases the numeric value when in a function
<DOWN>	Navigates downward through the menu list and decreases the numeric value when in a function

Control Options

You can set the COLORdash Batten-Quad 6 start address in the 001~512 DMX range. This enables control of up to 18 products in the 28-channel **28 Ch** personality.

Programming

Refer to the [Menu Map](#) to understand the menu options. The menu map shows the main level and a variable number of programming levels for each option.

- To go to the desired main level, press <MENU> repeatedly until the option shows on the display. Press <ENTER> to select. This will take you to the first programming level for that option.
- To select an option or value within the current programming level, press <UP> or <DOWN> until the option shows on the display. Press <ENTER> to select. In this case, if there is another programming level, you will see that first option, or you will see the selected value.
- Press <MENU> repeatedly to exit to the previous main level.

DMX Personality

This setting allows you to choose a particular DMX personality.

1. Go to the **Channel** main level.
 2. Select the desired personality (**4 Ch**, **6 Ch**, **10 Ch**, **24 Ch**, or **28 Ch**).
- **See the DMX Values section for the highest starting address you can select for each personality.**
 - **Make sure that the starting addresses on the various products do not overlap due to the new personality setting.**



DMX Control

In this mode, each product will respond to a unique starting address from the DMX controller. All products with the same starting address will respond in unison.

1. Select a DMX personality as shown in DMX Personality.
2. Set the running mode:
 - a. Go to the **M&S Mode** main level.
 - b. Select **Slave**.
3. Set the starting address:
 - a. Go to **Address** main level.
 - b. Select the starting address (**001~509**).

The highest recommended starting address for each DMX mode are as follows:

DMX Mode	DMX Address
4 Ch	509
6 Ch	507
10 Ch	503
24 Ch	489
28 Ch	485



Static Color The Static Color mode allows for permanent RGBA color mixing without a DMX controller.

1. Go to the **Static** main level.
2. Select the **Fix C**.
 - a. Choose desired color combination.
3. Select the **Manu C**
 - a. Select Color (**RGBA**)
 - b. Select the desired color value (**000~255**).
 - c. Repeat for the other colors.

Auto Programs Auto programs allow for dynamic RGBA color mixing without a DMX controller.

1. Go to **AUTO** Main Level.
2. Select the desired auto (**Auto. 01~12**).
3. Select **Speed**.
4. Choose the desired speed value (**000~100**).



You cannot edit any of the auto programs (AUTO 01~12).

Auto Test This option allows you to test all the LEDs on the COLORdash Batten-Quad 6.

1. Go to **Info** Main Level.
2. Select **Auto > Test**.

Master/Slave The Master/Slave mode allows a group of COLORdash Batten-Quad 6s (the slave products) to simultaneously duplicate the output of another COLORdash Batten-Quad 6 (the master product) without a DMX controller.

1. Set each of the slave products:
 - a. Go to **M&S Mode**.
 - b. Select **Slave**.
2. Set the master product:
 - a. Go to **M&S Mode**.
 - b. Select **Master**.
 - c. Select an Auto or Static program as explained in [Auto Programs](#).

- **The master product is the one that runs a program whether in Auto, or Static Color mode.**



- **Do not connect a DMX controller to the products configured for Master/Slave operation. The DMX controller may interfere with signals from the master product.**

- **The master product should be the first product in the daisy chain.**

Dimmer Curves This setting determines how fast the output of the COLORdash Batten-Quad 6 changes when you modify the values of the Red, Green, Blue, White, and Dimmer faders. This setting provides four different options to simulate the dimming curve of an incandescent lighting product.

1. Go to the **Dimmer Mode** main level.
2. Select a dimmer curve (**OFF**, **DIM1**, **DIM2**, or **DIM3**).



OFF: The output is proportional (linear) to the Dimmer and RGBA channel values.

DIM1~3: The output follows the Dimmer and RGBA channel values based on the corresponding dimmer curve, being **DIM1** the fastest and **DIM3** the slowest.

Software Information This option shows what version of software the COLORdash Batten-Quad 6 is running.

1. Go to the **Info** main level.
2. Select **Version**. (the version number will show on the screen)

Fixture Hours This option shows the total amount of hours the COLORdash Batten-Quad 6 has been turned on.

1. Go to the **Info** main level.
2. Select **FixHours** (the hours will show on the screen).

Backlight This setting allows you to set the amount of time the backlight on the COLORdash Batten-Quad 6 stays on after the last button is pressed on the control panel.

1. Go to the **BackLite** main level.
2. Select **On**, **10S**, **20S**, or **30S**.
3. Press **<ENTER>**.

White Balance This setting allows you to select the white color shown by the COLORdash Batten-Quad 6 when the DMX controller's Red, Green, and Blue faders are set to "255."

1. Go to the **White Balance** main level.
2. Select a color (**R**, **G**, or **B**).
3. Select a color value (**125~255**).
4. Repeat for the other colors.



When selecting White Balance, you will only be able to define the values of Red, Green, and Blue.



The values of Red, Green, and Blue configured from White Balance will define the color temperature shown when the RGB faders are set to "255."

Menu Map

Main Level	Programming Levels			Description	
Auto	Auto 1~12	Speed	0~100	5 automatic programs	
Static	Fix C	R		Red	
		G		Green	
		B		Blue	
		A		Amber	
		GB		Green/Blue	
		RB		Red/Blue	
		RG		Red/Green	
		RGB		Red/Green/Blue	
		RA		Red/Amber	
		GA		Green/Amber	
		BA		Blue/Amber	
		RGA		Red/Green/Amber	
		RBA		Red/Blue/Amber	
		GBA		Green/Blue/Amber	
	RGBA		Red/Green/Blue/Amber		
	Manu C		Value	0~255	Combine red, green, blue, and amber to make a custom color
		R			
		G			
		B			
		A			
Dim Mode	Off			No dimmer	
	DIM 1~3			Dimmer curve	
BackLite	10S			Turns off backlight after 10 sec of inactivity	
	20S			Turns off backlight after 20 sec of inactivity	
	30S			Turns off backlight after 30 sec of inactivity	
	On			Display backlight always on	
Info	Auto	Test		Turns on all LEDs in sequence for testing	
	FixHours			Shows total product hours	
	Version			Shows installed software version	
Address	001~509			Selects DMX address	
Channel	4 Ch			4-channel: R/G/B/A control	
	6 Ch			6-channel: R/G/B/A, dimmer, strobe	
	10 Ch			10-channel: R/G/B/A dimmer, strobe, color macro, auto, dimmer speed, auto speed	
	24 CH			24-channel: R/G/B/A per quad-color LED	
	28 Ch			28-channel: R/G/B/A per quad-color LED, dimmer, strobe, auto, auto speed	
M&S Mode	Master			DMX mode	
	Slave			Slave mode	
White Balance	R	Value	125~255	Sets red LED maximum value	
	G			Sets green LED maximum value	
	B			Sets blue LED maximum value	

DMX Values

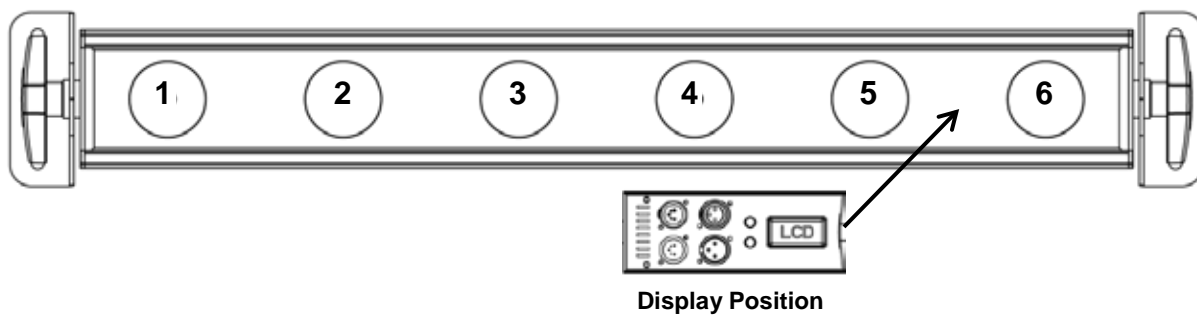
28-Ch

Channel	Function	Value	Percent/Setting
1	Red 1	000 ó 255	0~100%
2	Green 1	000 ó 255	0~100%
3	Blue 1	000 ó 255	0~100%
4	Amber 1	000 ó 255	0~100%
5	Red 2	000 ó 255	0~100%
6	Green 2	000 ó 255	0~100%
7	Blue 2	000 ó 255	0~100%
8	Amber 2	000 ó 255	0~100%
9	Red 3	000 ó 255	0~100%
10	Green 3	000 ó 255	0~100%
11	Blue 3	000 ó 255	0~100%
12	Amber 3	000 ó 255	0~100%
13	Red 4	000 ó 255	0~100%
14	Green 4	000 ó 255	0~100%
15	Blue 4	000 ó 255	0~100%
16	Amber 4	000 ó 255	0~100%
17	Red 5	000 ó 255	0~100%
18	Green 5	000 ó 255	0~100%
19	Blue 5	000 ó 255	0~100%
20	Amber 5	000 ó 255	0~100%
21	Red 6	000 ó 255	0~100%
22	Green 6	000 ó 255	0~100%
23	Blue 6	000 ó 255	0~100%
24	Amber 6	000 ó 255	0~100%
25	Auto Programs	000 ó 010 No Function 011 ó 030 Auto 1 031 ó 050 Auto 2 051 ó 070 Auto 3 071 ó 090 Auto 4 091 ó 110 Auto 5 111 ó 130 Auto 6 131 ó 150 Auto 7 151 ó 170 Auto 8 171 ó 190 Auto 9 191 ó 210 Auto 10 211 ó 230 Auto 11 231 ó 250 Auto 12 251 ó 255 Random Auto	
26	Auto Speed	000 ó 255	Slow to Fast
27	Dimmer	000 ó 255	0~100%
28	Strobe	000 ó 010 No Function 011 ó 255 Slow to Fast	

DMX Values (cont.)

24-Ch	Channel	Function	Value	Percent/Setting
	1	Red 1	000 ó 255	0~100%
	2	Green 1	000 ó 255	0~100%
	3	Blue 1	000 ó 255	0~100%
	4	Amber 1	000 ó 255	0~100%
	5	Red 2	000 ó 255	0~100%
	6	Green 2	000 ó 255	0~100%
	7	Blue 2	000 ó 255	0~100%
	8	Amber 2	000 ó 255	0~100%
	9	Red 3	000 ó 255	0~100%
	10	Green 3	000 ó 255	0~100%
	11	Blue 3	000 ó 255	0~100%
	12	Amber 3	000 ó 255	0~100%
	13	Red 4	000 ó 255	0~100%
	14	Green 4	000 ó 255	0~100%
	15	Blue 4	000 ó 255	0~100%
	16	Amber 4	000 ó 255	0~100%
	17	Red 5	000 ó 255	0~100%
	18	Green 5	000 ó 255	0~100%
	19	Blue 5	000 ó 255	0~100%
	20	Amber 5	000 ó 255	0~100%
	21	Red 6	000 ó 255	0~100%
	22	Green 6	000 ó 255	0~100%
	23	Blue 6	000 ó 255	0~100%
	24	Amber 6	000 ó 255	0~100%

COLORdash Batten-Quad 6 Sections for DMX Control



4-Ch	Channel	Function	Value	Percent/Setting
	1	Red	000 ó 255	0~100%
	2	Green	000 ó 255	0~100%
	3	Blue	000 ó 255	0~100%
	4	Amber	000 ó 255	0~100%

DMX Values (cont.)

10-Ch

Channel	Function	Value	Percent/Setting
1	Dimmer	000 ó 255	0~100%
2	Red	000 ó 255	0~100%
3	Green	000 ó 255	0~100%
4	Blue	000 ó 255	0~100%
5	Amber	000 ó 255	0~100%
6	Strobe	000 ó 010 011 ó 255	No Function Slow to Fast
7	Color Macro + White Balance	000 ó 010 011 ó 030 031 ó 050 051 ó 070 071 ó 090 091 ó 110 111 ó 130 131 ó 150 151 ó 170 171 ó 200 201 ó 205 206 ó 210 211 ó 215 216 ó 220 221 ó 225 226 ó 230 231 ó 235 236 ó 240 241 ó 245 246 ó 250 251 ó 255	No Function R: 100% G: 0~100% B: 0 R: 100%~0 G: 100% B: 0 R: 0 G: 100% B: 0~100% R: 0 G: 100%~0 B: 100% R: 0~100% G: 0 B: 100% R: 100% G: 0 B: 100%~0 R: 100% G: 0~100% B: 0~100% R: 100%~0 G: 100%~0 B: 100% R: 100% G: 100% B: 100% A: 100% White 1 White 2 White 3 White 4 White 5 White 6 White 7 White 8 White 9 White 10 White 11
8	Auto Programs	000 ó 051 052 ó 101 102 ó 152 153 ó 203 204 ó 254 255	No Function Auto 1 Auto 2 Auto 3 Auto 4 Auto 5
9	Auto Speed	000 ó 255	Slow to Fast
10	Dimmer Speed	000 ó 051 052 ó 101 102 ó 152 153 ó 203 204 ó 255	Preset dimmer speed from display menu Linear dimmer Nonlinear dimming curve 1 (fastest) Nonlinear dimming curve 2 Nonlinear dimming curve 3(slowest)

6-Ch

Channel	Function	Value	Percent/Setting
1	Dimmer	000 ó 255	0~100%
2	Red	000 ó 255	0~100%
3	Green	000 ó 255	0~100%
4	Blue	000 ó 255	0~100%
5	Amber	000 ó 255	0~100%
6	Strobe	000 ó 010 011 ó 255	No Function Slow to Fast

5. Technical Information

Product Maintenance

To maintain optimum performance and minimize wear, you should clean this product frequently. Usage and environment are contributing factors in determining the cleaning frequency.

As a rule, clean this product at least twice a month. Dust build-up reduces light output performance and can cause overheating. This can lead to reduced light source life and increased mechanical wear.

To clean your product:

1. Unplug the product from power.
2. Wait until the product has cooled.
3. Use a vacuum (or dry compressed air) and a soft brush to remove dust collected on the external vents and accessible internal components.
4. Clean all external surfaces with a mild solution of non-ammonia glass cleaner or isopropyl alcohol.
5. Apply the solution directly to a soft, lint-free cotton cloth or a lens cleaning tissue.
6. Wipe any dirt or grime to the outside edges of the lens surface.
7. Gently polish the lens surfaces until they are free of haze and lint.



Always dry the external surfaces thoroughly and carefully after cleaning them.

Returns

You must send the product prepaid, in the original box, and with the original packing and accessories. Chauvet will not issue call tags.

Call Chauvet and request a Return Merchandise Authorization (RMA) number before shipping the product. Be prepared to provide the model number, serial number, and a brief description of the cause(s) for the return.

Clearly label the package with an RMA number. Chauvet will refuse any product returned without an RMA number.



DO NOT write the RMA number directly on the box. Instead, write it on a properly affixed label.

Once you have received the RMA number, include the following information on a piece of paper inside the box:

- Your name
- Your address
- Your phone number
- The RMA number
- A brief description of the problem(s)

Be sure to pack the product properly. Any shipping damage resulting from inadequate packaging will be the customer's responsibility. FedEx packing or double-boxing are recommended.



Chauvet reserves the right to use its own discretion to repair or replace returned product(s).

Technical Specifications

Dimensions and Weight	Length	Width	Height	Weight
	22 in (560 mm)	2.6 in (65 mm)	6.46 in (164 mm)	5 lbs (2.3 kg)

Note: Dimensions in inches rounded to the nearest decimal digit.

Electrical	Power Supply Type	Range	Voltage Selection
	Switching (internal)	100~240 V, 50/60 Hz	Auto-ranging

Parameter	120 V, 60 Hz	208 V, 60 Hz	230 V, 50 Hz
Consumption	90 W	94 W	96 W
Operating	.76 A	.45 A	.41 A
Power linking current (products)	13.6 A	13.6 A	13.6 A
Fuse/Breaker	T 2 A, 250 V	T 2 A, 250 V	T 2 A, 250 V

Power I/O	U.S./Worldwide	Europe
Power input connector	Neutrik® powerCON®A	Neutrik® powerCON®A
Power output connector	Neutrik® powerCON®B	Neutrik® powerCON®B
Power cord plug	Edison (U.S.)	Local plug

Light Source	Type	Power	Lifespan
	Quad-colored LEDs	5 W	50,000 hours

Color	Quantity	Current
Red	6	499 mA
Green	6	480 mA
Blue	6	468 mA
Amber	6	500 mA

Photometrics	Parameter	Standard Optics
	Illuminance @ 5 m	390.7 lux
	Beam angle	17°
	Field angle	33°

Thermal	Max. External Temperature	Cooling System
	104 °F (40 °C)	Convection

DMX	I/O Connectors	Connector Type	Channel Range
	3- and 5-pin XLR	Sockets	4, 6, 10, 24, 28

Ordering	Product Name	Item Code	Item Number
	COLORdash Batten-Quad 6	03030613	781462209612

Contact Us

WORLD HEADQUARTERS - Chauvet

General Information

Address: 5200 NW 108th Avenue
Sunrise, FL 33351
Voice: (954) 577-4455
Fax: (954) 929-5560
Toll free: (800) 762-1084

Technical Support

Voice: (954) 577-4455 (Press 4)
Fax: (954) 756-8015
Email: tech@chauvetlighting.com

World Wide Web www.chauvetlighting.com

UNITED KINGDOM AND IRELAND - Chauvet Europe Ltd.

General Information

Address: Unit 1C
Brookhill Road Industrial Estate
Pinxton, Nottingham, UK
NG16 6NT
Voice: +44 (0)1773 511115
Fax: +44 (0)1773 511110

Technical Support

Email: uktech@chauvetlighting.com

World Wide Web www.chauvetlighting.co.uk

MEXICO - Chauvet Mexico

General Information

Address: Av. Santa Ana 30
Parque Industrial Lerma
Lerma, Mexico C.P. 52000
Voice: +52 (728) 285-5000

Technical Support

Email: servicio@chauvet.com.mx

World Wide Web www.chauvet.com.mx

CHAUVET EUROPE - Chauvet Europe BVBA

General Information

Address: Stokstraat 18
9770 Kruishoutem
Belgium
Voice: +32 9 388 93 97

Technical Support

Email: Eutech@chauvetlighting.eu

World Wide Web www.chauvetlighting.eu

Outside the U.S., United Kingdom, Ireland, Mexico, or Benelux contact the dealer of record. Follow their instructions to request support or to return a product. Visit our website for contact details.



UL 1573
CSA C22.2 No. 166
E113093

