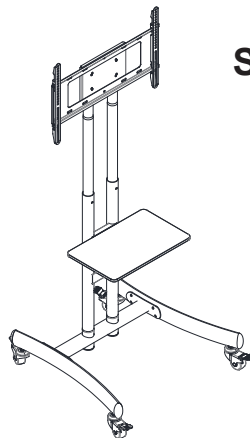
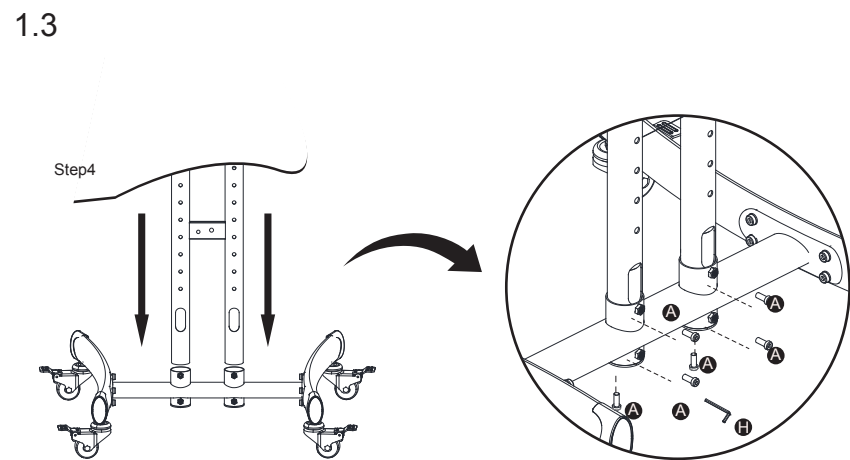
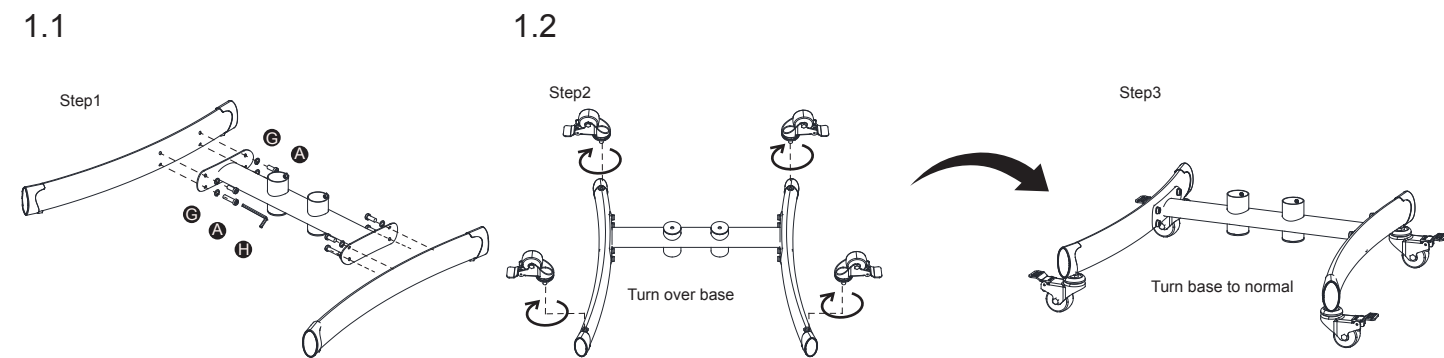
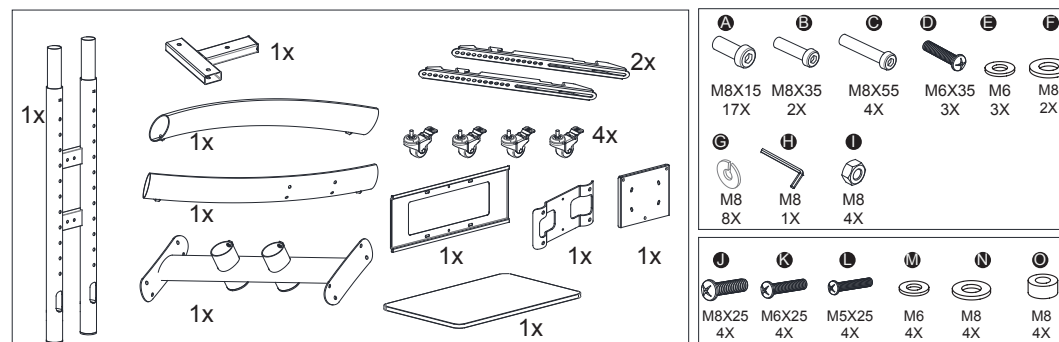


**SKU: FOR1200S**



- Multi-functional and professional mobile stand
- For TV panels:32"-70"
- Max VESA:600x400mm
- Load capacity:125lbs
- Tilt angle:0°



2. Step5. Use thumb or finger to depress the right upper pole spring plunger ball located near the cable opening, and pull upper pole upward until the desired height is reached. Twist upper pole toward the plunger hole's direction and engage the spring ball into the plunger hole as shown in fig-1.

\*Please make sure spring is fully latched before mounting TV

Step6. Repeat with left pole.

