

PROFESSIONAL MINI SHOTGUN MICROPHONE MULTI-PURPOSES

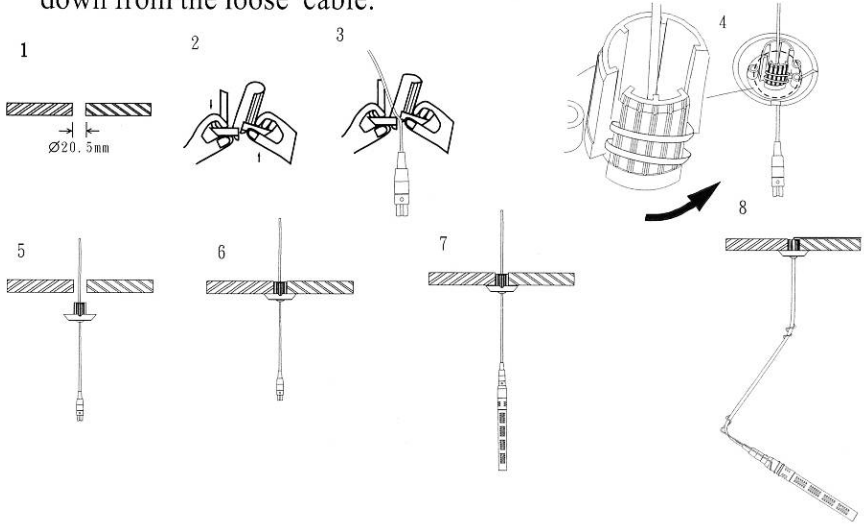
The microphone is a wide-range miniature condenser microphone with a line +gradient polar pattern specifically designed to provide a narrow acceptance angle desirable for long distance soundpick up. It is designed for quality sound reinforcement, professional recording, television and other demanding sound pick up applications. The microphone is furnished with a steel hanger that allows it to be positioned inconspicuously over a choir, orchestra, stage, etc. The microphone can be with a holder and base put on the table for installed sound reinforcement applications in conventions, public address, symposia, interviews, broadcasting or audio mixing.

It can be powered from an external 9V to 52V DC phantom power supply. Output is lower impedance balanced. The balanced signal appears across pin 2 and 3 of the professional 3-pin XLR (male) output connector while the shield ground connection is pin 1.

A specially designed plastic mounting disc is provided for easy installation.

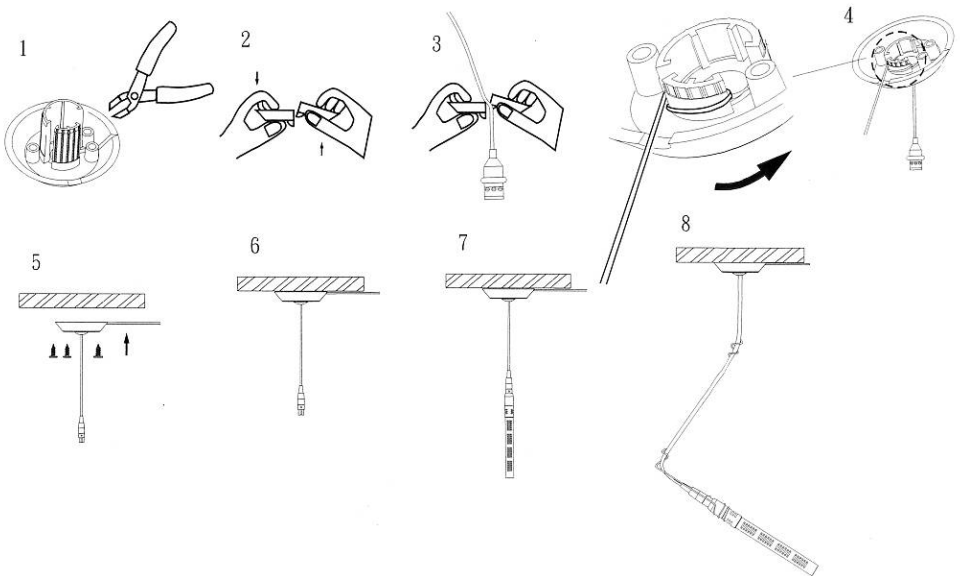
A) MICROPHONE CABLE TO BE LAID INSIDE THE CEILING:

To wind the cable round onto one of the chip poles protruded inside the mounting disc to ensure the microphone coming to stay without falling down from the loose cable.



B) MICROPHONE CABLE TO BE LAID OUTSIDE THE CEILING:

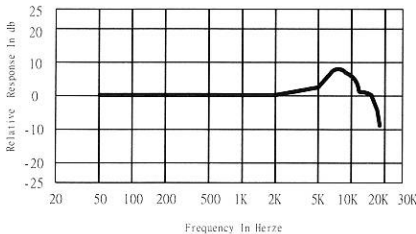
To cut the redundant part out of the protruding plastic chip poles before laying the cable through the disc to allow a snug surface mounting.



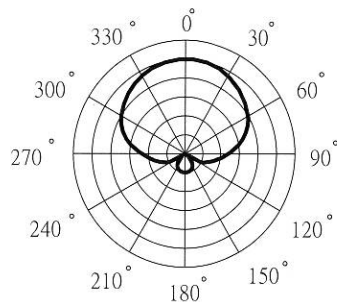
SPECIFICATIONS:

- Element : Back Electret condenser
- Polar Pattern : Line + gradient
- Frequency Response : 30 -18,000Hz
- Sensitivity : -60dB/ microbar
- Impedance : 200 ohms
- Maximum Input Sound Pressure Level : 119dB SPL , 1KHz at 1% T.H.D
- Dynamic Range : 89dB, 1KHz at Max. SPL
- Signal to Noise Ratio : 64dB, 1KHz at 1 Pa
- Phantom Power Requirements: 9V -52V DC, 2mA typical
- Output Connector : Integral 3- pin XLR (male) type
- Dimensions : a. Shotgun Microphone : ϕ 15mm x 140mm
 b. Power Module : ϕ 19mm x 108mm
 c. Movable Base : ϕ 100mm x 98mm(H)
 d. Unmovable Base : ϕ 45mm x 72mm(H)
- Cable : ϕ 3.2mm x 8 M
- Accessories : a. Plastic Mounting Disc (with screwx3)
 b. Steel Hanger
 c. Holder
 d.Movable Base(with screw Adaptor)
 e. Unmovable Base (with screwx3)
 f. Windscreen

Frequency Response



Polar Pattern



Multi-purposes for choir, movable Desk-Top & unmovable Desk-Top Applications:

(A) Choir

(B) Movable Desk-Top

(C) Unmovable Desk-Top

