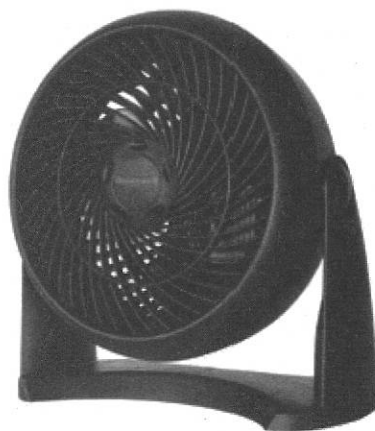


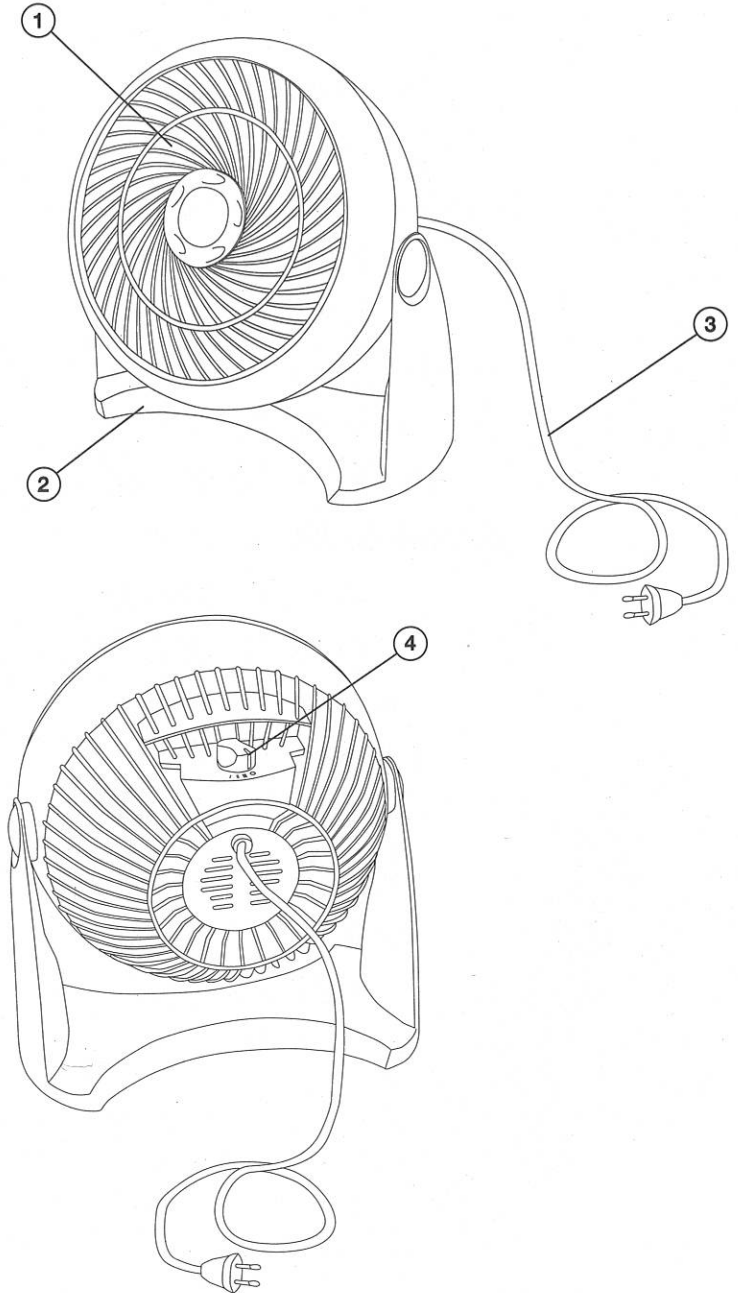
- GB** **TURBO FAN**
User Instructions
- CZ** **VENTILÁTOR TURBO**
Návod k obsluze
- DE** **TURBO-VENTILATOR**
Bedienungsanleitung
- DK** **TURBOVIFTE**
Brugsvejledning
- ES** **VENTILADOR TURBO**
Instrucciones de usuario
- FI** **TURBO-TUULETIN**
Käyttäjän opas
- FR** **VENTILATEUR TURBO**
Mode d'emploi
- GR** **ΑΝΕΜΙΣΤΗΡΑΣ TURBO**
Οδηγίες χρήστη
- HU** **TURBÓVENTILLÁTOR**
Felhasználói útmutató
- IT** **VENTILATORE TURBO**
Istruzioni per l'uso
- NL** **TURBO VENTILATOR**
Gebruikersinstructies
- NO** **TURBOVIFTE**
Bruksanvisninger
- PL** **TURBOWENTYLATOR**
Instrukcja użytkownika
- PT** **VENTOÍNHA "TURBO"**
Instruções de Utilização
- SA** **مروحة تريبو**
تعليمات التشغيل
- SE** **TURBO VENTILATOR**
Bruksanvisning
- TR** **TURBO VANTILATÖR**
Kullanıcı Talimatları



HT900E

HT900E

COMPONENTS



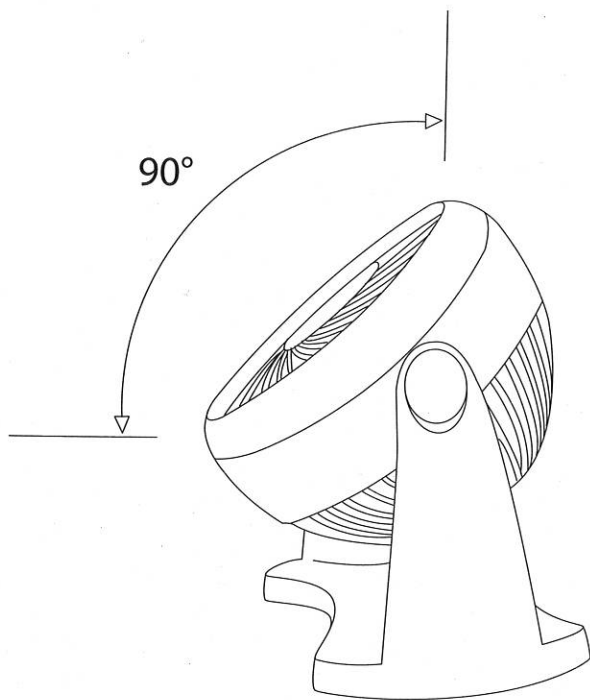


Fig. 1

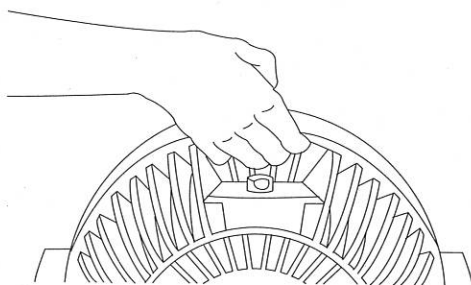



Fig. 2

IMPORTANT SAFETY INSTRUCTIONS

 Read through all the instructions before starting to use the appliance. Keep this manual in a safe place for future reference.

These instructions are also available on our website. Please visit www.hot-europe.com.

1. This appliance must only be operated as instructed in this user manual.
2. This appliance can be used by children aged from 8 years and above and persons with reduced physical, sensory or mental capabilities or lack of experience and knowledge if they have been given supervision or instruction concerning use of the appliance in a safe way and understand the hazards involved. Children shall not play with the appliance. Cleaning and user maintenance shall not be made by children without supervision.
3. Do not touch the rotating fan blades with any part of the body. This can cause personal injury and damage.
4. Clean the appliance regularly by following the "Cleaning" section.
5. This appliance is only designed for indoor use.
6. Always switch the appliance off when not in use, during cleaning or transport.
7. If the supply cord is damaged, it must be replaced by the manufacturer, its service agent or similarly qualified persons in order to avoid a hazard.
8. Do not use this appliance if it is damaged or shows any signs of possible damage, or if it is not functioning properly. Disconnect the power plug from the power socket.

COMPONENTS See page 4.

1. Grille
2. Base
3. Power Cord
4. Control Knob

OPERATION

1. Place your fan on a level and dry surface.
2. Plug the fan into the electricity supply.
3. Turn the control knob to the desired fan speed: (HIGH III), (MEDIUM II), (LOW I).
4. Adjust the fan to the desired angle (Fig 1).
5. To move the fan, turn the fan OFF and pick it up by the concealed handle, located at the rear of the fan above the control knob (Fig 2).

WALL MOUNTING

1. Locate and mark the position on the wall where the fan will be mounted. Do not hang or mount fan on ceiling
2. Insert two M5 screws into the raw plug. The screws are not included.
3. Leave approximately 10 mm (3/8") of the screws exposed. Line up the openings on the base of the fan with the screws and hang the fan on the wall.

CLEANING, STORAGE AND DISPOSAL

CLEANING

1. Switch the appliance off and remove the power plug from the socket.
2. Clean the outer surfaces of the appliance with a soft, damp cloth. Do not use petroleum, thinners or any other chemicals. Use your vacuum cleaner with the brush attachment to clean the grids.
3. Do not plunge the appliance into water or any other liquids and do not pour water or any other liquids over the appliance.

STORAGE

1. If you do not wish to use the appliance for a longer period, clean it as described above.
2. Store the appliance in a cool, dry location. Cover it up to protect it from dust.

DISPOSAL



This symbol on the product or its packaging indicates that the appliance cannot be treated as normal domestic waste, but must be handed in at a collection point for recycling electric and electronic appliances.

Your contribution to the correct disposal of this product protects the environment and the health of your fellow men. Health and the environment are endangered by incorrect disposal. Further information about the recycling of this product can be obtained from your local town hall, your refuse collection service, or in the store at which you bought the product.

WARRANTY/CONDITION OF PURCHASE

As a condition of sale, the purchaser assumes responsibility for the proper use and care of this appliance in accordance with these printed instructions. The purchaser or user must judge himself or herself when to use the appliance and the length of use. Please keep your receipt (or invoice) as your proof of purchase. The receipt must be always presented when making a claim under the warranty period. You may also be asked to provide the LOT number which gives you the production date of your product. The LOT number is located on the product and on the packaging. The production date can be deciphered as follow: The first 3 numeric digits after LOT represents the day of manufacture. The next 2 numeric digits represent the last two digits of the calendar year of manufacture and the letter(s) at the end are a factory identifier (E.g.: LOT No.: 12313 ABC this product was made on the day 123, year 2013 at the factory code ABC).

NOTE: IN THE UNLIKELY EVENT THAT YOU EXPERIENCE A PROBLEM WITH THIS PRODUCT PLEASE FOLLOW THE WARRANTY INSTRUCTIONS. PLEASE DO NOT ATTEMPT TO REPAIR THIS PRODUCT YOURSELF. DOING SO WILL VOID THE WARRANTY AND COULD CAUSE PROPERTY DAMAGE OR LEAD TO PERSONAL INJURY.

Technical modifications reserved.

This product carries the CE mark and is manufactured in conformity with the Electromagnetic Directive 2004/108/EC, the Low Voltage Directive 2006/95/EC and the RoHS Directive 2011/65/EU.

HT900E

220-240V ~ 50Hz

40W